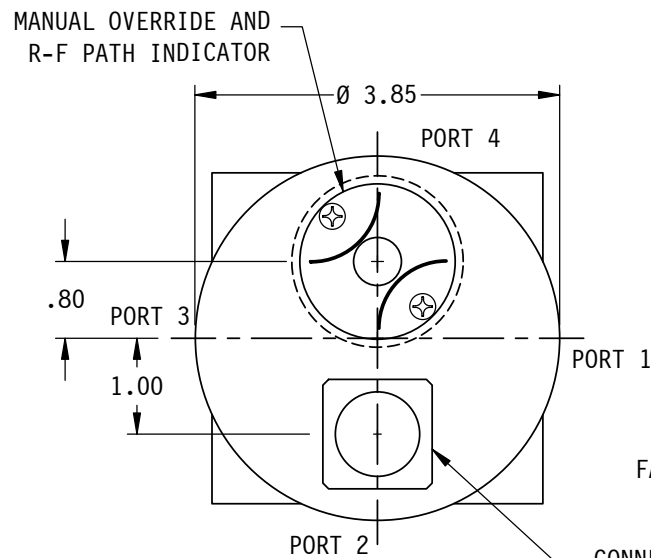
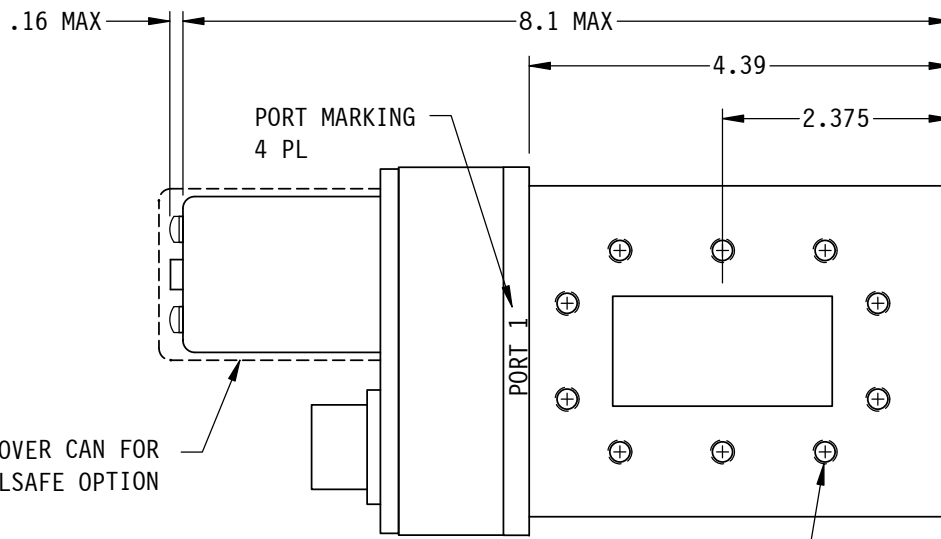


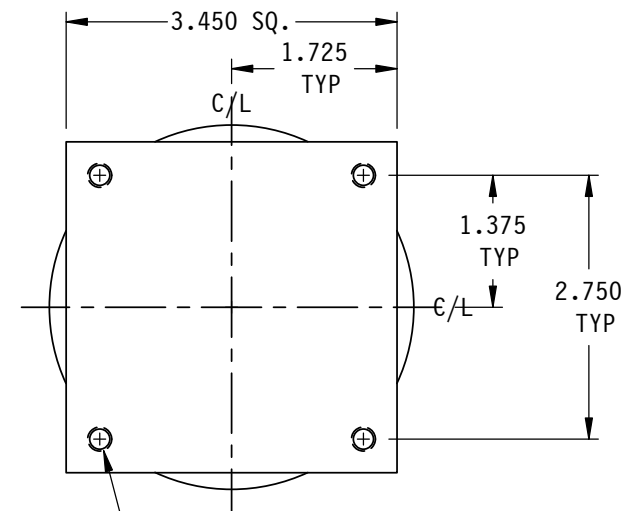
2xx SERIES



CONNECTOR
MS3102E-14S-6P
(FOR STD CKT)



WR229 (CPRF FLANGE SHOWN)
1/4 x 20 UNC x .31 DP. MIN TYP
(M6 x 1 THD ON METRIC UNITS)



1/4-20 UNC x .50 DP MIN, 4PL
(M6 x 1 THD ON METRIC UNITS)

SPECIFICATIONS:

- FREQ RANGE 3.30 TO 4.90 GHz
- VSWR 1.05 : 1 MAX
- INSERTION LOSS 0.02 db MAX
- ISOLATION 80 db MIN
- SWITCHING TIME 100 mSec
- PRESSURE TO 30 PSIG (R-F HEAD ONLY)
- MATERIAL ALUMINUM ALLOY
- FINISH IRIDITE & SATIN BLACK ENAMEL (EXCEPT FLANGE FACES)
- LIFE 200,000 OPERATIONS MIN.

NOTES:

1. ** MANUAL SWITCH DOES NOT INCLUDE RECEPTACLE.
2. BLUE BOXES ARE REQUIRED FIELDS.
3. !! IF OPTION IS NOT REQUIRED, LEAVE (GOLD BOX) BLANK

VOLTAGE	AMPS	CODE
+22 TO +32	2	A
-22 TO -32	2	B
+10 TO +14	2	C
-10 TO -14	2	D
+44 TO +54	1	E
-44 TO -54	1	F
117VAC	0.5	H
235VAC	0.5	K
MANUAL **		M

PART NUMBER SELECTION

CODE	FLANGE
F	CPRF
G	CPRG

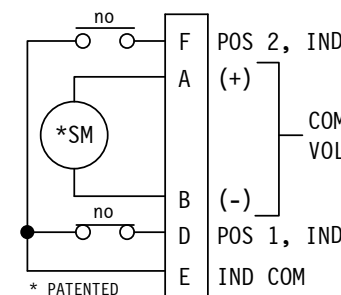
CODE	!! OPTION
M	METRIC THREAD

!! OPTION	CODE
SPDT	1

PART NO.	2	FAILSAFE	F	!! OPTION	CODE	F
	SERIES					

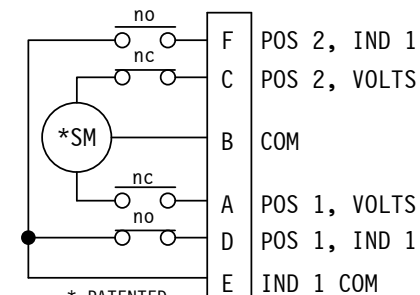
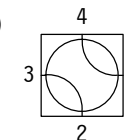
PART NO. EX.: 2AFFM
WR229 WG SWITCH, +28VDC, CPRF
FLANGE, FAILSAFE, METRIC THDS.

**!! ELECTRICAL CIRCUIT
(IF OTHER THAN STD.)
SEE SCHEMATIC PAGE.**



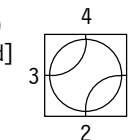
STD. FAILSAFE ELECT CKT.
Shown in De-energized Pos.
ONE FORM C

POS 2 (LATCHING)
[or Energized]
(FAILSAFE)



STD. ELECTRICAL CKT.
Shown in Position 1
ONE FORM C

POS 1 (LATCHING)
[or De-Energized]
(FAILSAFE)



R-F PATHS

WEB SITE: www.sectormicrowave.com

ZONE	LTR	DESCRIPTION	APV	DATE
	A	REDRAWN ON CAD, NO CHANGE	A.C.	4-10-00
REVISIONS				

TOLERANCES: DECIMALS 2 PLACES: +/- .03 3 PLACES: +/- .010 FRACTIONS: +/- 1/64 ANGLES: +/- 1/2 deg.	DRAWN	A.C.	1-16-90
	CHECKED		
	APVD	J.P.	1-16-90
	APVD		

SECTOR MICROWAVE IND., INC.			
WR229, W/G SWITCH, LT.WEIGHT SERIES			
SIZE	L MFG CODE	53263	2xx SERIES
SCALE: NONE	UNIT WT.	SHEET	1 OF 1
			A REV.