

SPECIFICATIONS:
 FREQ RANGE _____ 3.30 TO 4.90 GHz
 VSWR _____ 1.05 : 1 MAX
 INSERTION LOSS _____ 0.02 db MAX
 ISOLATION _____ 80 db MIN
 SWITCHING TIME _____ 100 mSec, TYP
 PRESSURE _____ TO 30 PSIG (R-F HEAD ONLY)
 MATERIAL _____ ALUMINUM
 LIFE _____ 100,000 CYCLES, MIN.
 FINISH _____ IRIDITE ON FLANGES, SATIN BLACK ENAMEL ON REST OF BODY.

NOTES:
 1. ** MANUAL SWITCH DOES NOT INCLUDE RECEPTACLE.
 2. BLUE BOXES ARE REQUIRED FIELDS.
 3. !! IF OPTION IS NOT REQUIRED, LEAVE (GOLD BOX) BLANK

VOLTAGE	AMPS	CODE
+22 TO +32	2	A
-22 TO -32	2	B
+10 TO +14	2	C
-10 TO -14	2	D
+44 TO +54	1	E
-44 TO -54	1	F
117VAC	0.5	H
235VAC	0.5	K
MANUAL **		M

PART NO. SELECTION

!! OPTION		CODE
METRIC THREAD		M

CODE	FLANGE
F	CPRF
G	CPRG

LOCKING	CODE
	L

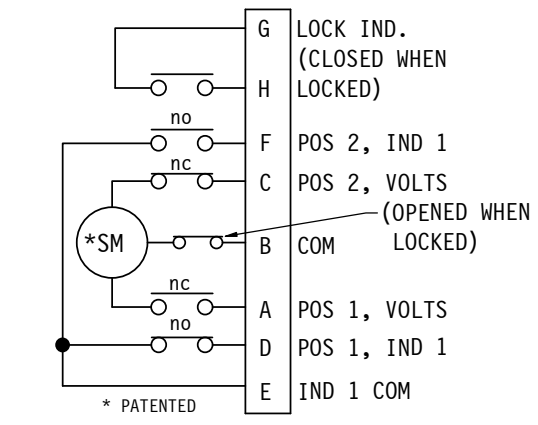
CODE	SW. LOCKED IN POSITION
3	POS. 1 & 2

CODE	KEY REMOVABLE
1	LOCKED POS.
2	LOCKED & UNLOCKED POS.

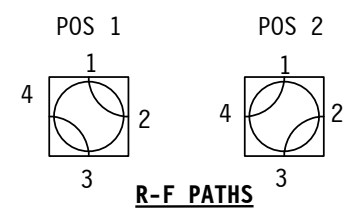
2 [Blue Box] [Blue Box] [Gold Box] [Gold Box]

3 [Blue Box]

!! ELECTRICAL CIRCUIT (IF OTHER THAN STD.)



STD. ELECTRICAL CKT. (with lock ind.)
 Shown in Position 1
 ONE FORM C



PART NO. EX.: 2AFML32
 WR29 W/G SW., +28VDC, CPRF FLANGE, METRIC THREADS, LOCKING, BOTH POSITIONS WITH KEY REMOVABLE IN LOCKED & UNLOCKED POS.

FOR OTHER ELECT CKT's SEE SCHEMATIC PAGE.

WEB SITE: www.sectormicrowave.com

ZONE	LTR	DESCRIPTION	APV	DATE
	A	RELEASED.	RR	10/12/06
REVISIONS				

TOLERANCES: DECIMALS 2 PLACES: +/- .03 3 PLACES: +/- .010 FRACTIONS: +/- 1/64 ANGLES: +/- 1/2 deg.	DRAWN A.C. 10/12/06	SECTOR MICROWAVE IND., INC.	
CHECKED			
APVD R.R. 10/12/06		WR29 WG SWITCH, LOCKING SERIES	
APVD		SIZE L MFG CODE 53263	2xxL3x SERIES
		SCALE: NONE	UNIT WT. SHEET 1 OF 1
			A REV.