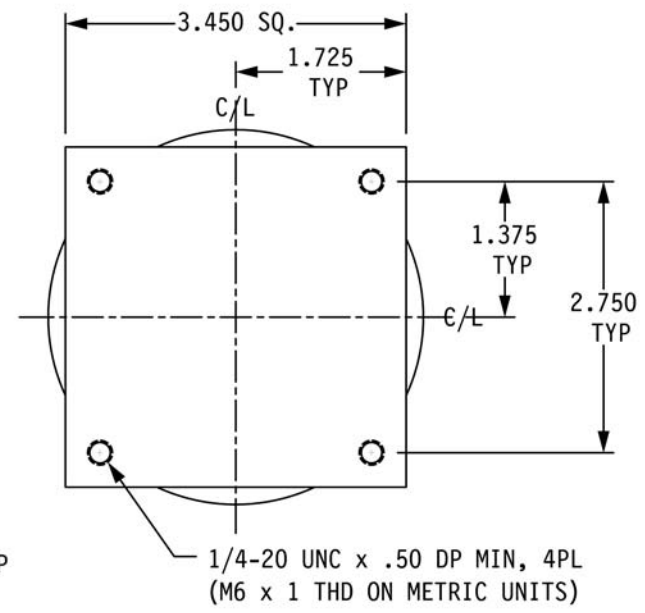
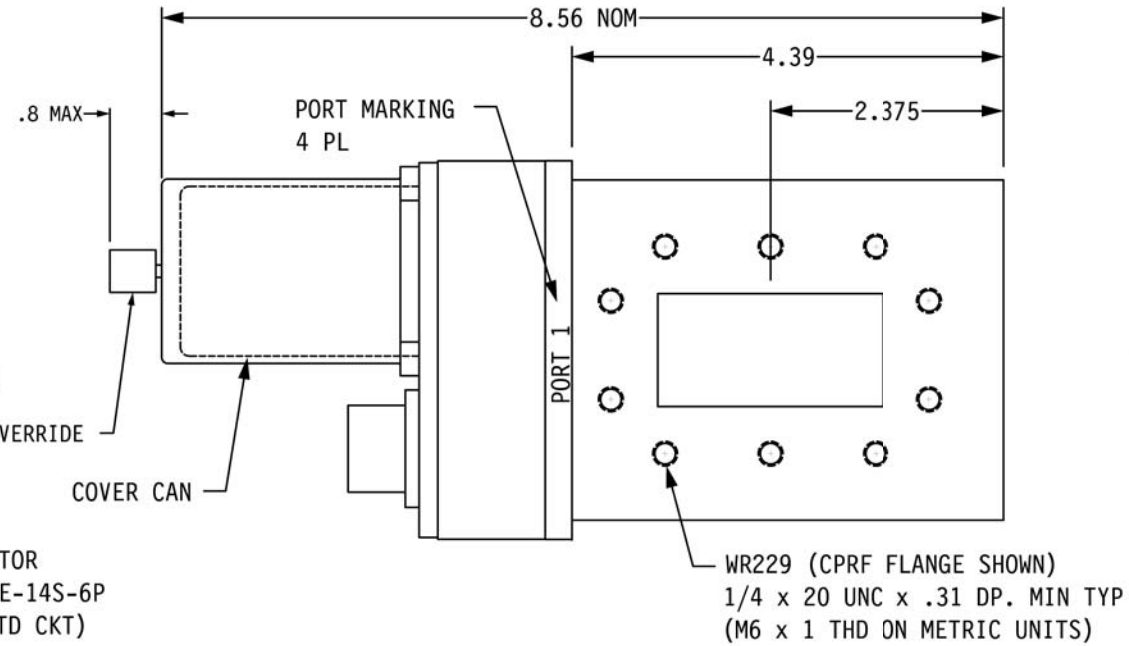
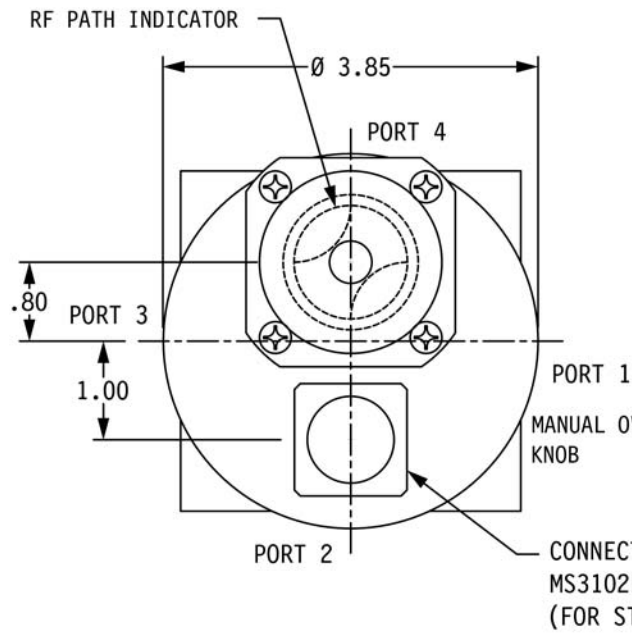


2xx SHELTERED SER.



SPECIFICATIONS:

- FREQ RANGE — 3.30 TO 4.90 GHz
- VSWR — 1.05 : 1 MAX
- INSERTION LOSS — 0.02 db MAX
- ISOLATION — 80 db MIN
- SWITCHING TIME — 100 mSec
- PRESSURE — TO 30 PSIG (R-F HEAD ONLY)
- MATERIAL — ALUMINUM ALLOY
- FINISH — IRIDITE & SATIN BLACK ENAMEL (EXCEPT FLANGE FACES)
- LIFE — 200,000 OPERATIONS MIN.

NOTES:

1. ** MANUAL SWITCH DOES NOT INCLUDE RECEPTACLE.
2. BLUE BOXES ARE REQUIRED FIELDS.
3. !! IF OPTION IS NOT REQUIRED, LEAVE (GOLD BOX) BLANK

VOLTAGE	AMPS	CODE
+22 TO +32	2	A
-22 TO -32	2	B
+10 TO +14	2	C
-10 TO -14	2	D
+44 TO +54	1	E
-44 TO -54	1	F
117VAC	0.5	H
235VAC	0.5	K
MANUAL **		M

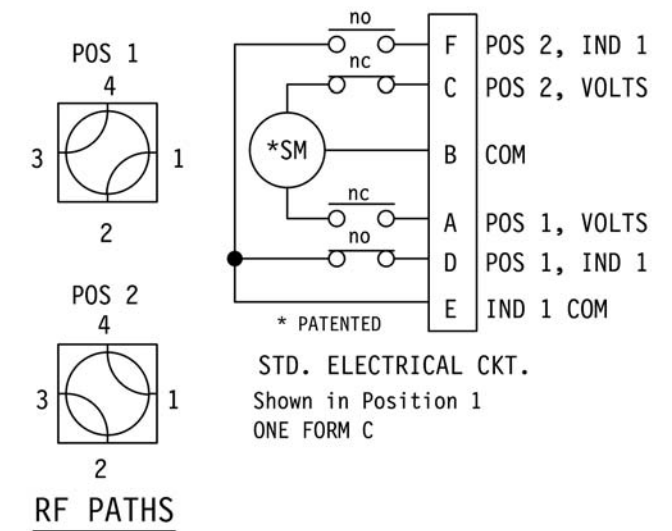
PART NO. SELECTION

CODE	FLANGE	CODE	!! OPTION
F	CPRF	M	METRIC THREAD
G	CPRG		(USED IN A SHELTERED ENVIRONMENT)
		CODE	ENVIRONMENTAL
		W	SHELTERED

2	
PART NO.	2
SERIES	CODE

SPDT	1
!! OPTION	CODE

!! ELECTRICAL CIRCUIT (IF OTHER THAN STD.) SEE SCHEMATIC PAGE



PART NO. EX.: 2AGMW2

WR229 WG SWITCH, +28VDC, CPRG (GROOVED) FLANGE, METRIC THDS, SHELTERED, CKT #2

WEB SITE: www.sectormicrowave.com

B	SHELTERED SERIES NOW HAS CLEAR PLASTIC COVER, 8.56 NOM WAS 8.47 NOM.	R.R.	9/12/11	TOLERANCES: DECIMALS 2 PLACES: +/- .03 3 PLACES: +/- .010 FRACTIONS: +/- 1/64 ANGLES: +/- 1/2 deg.	DRAWN	A.C.	1-16-90	SECTOR MICROWAVE IND., INC.	
A	REDRAWN ON CAD, NO CHANGE	A.C.	4-10-00		CHECKED				WR229 SHELTERED W/G SWITCH
ZONE	LTR	DESCRIPTION	APV		DATE	APVD	J.P.		1-16-90
REVISIONS					APVD			2xx SHELTERED SERIES	
					SCALE: NONE		UNIT WT.	SHEET 1 OF 1	
								B	
								REV.	