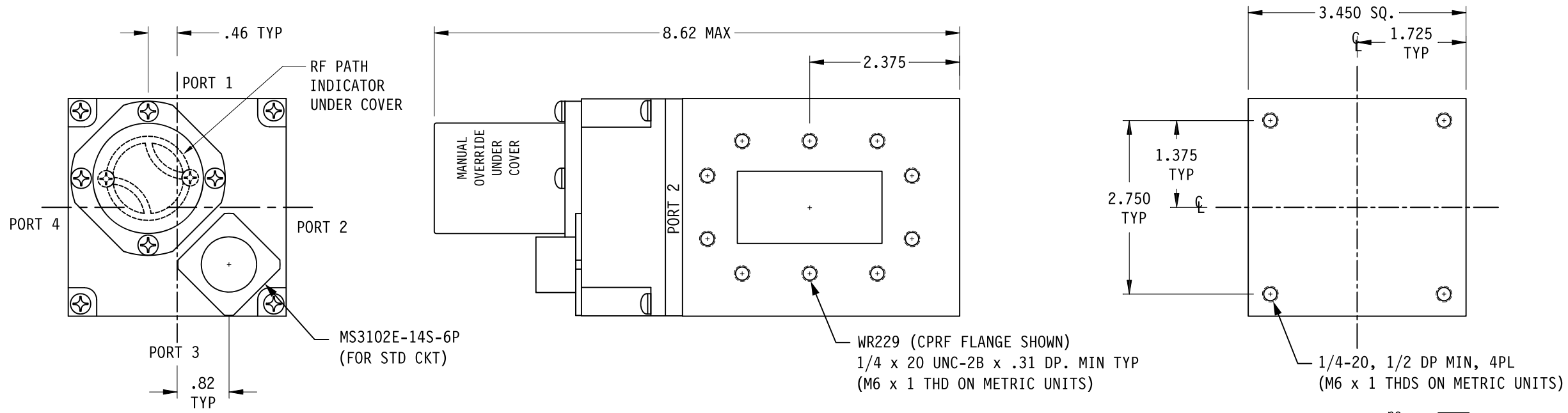


2xxS SEALED SW.



SPECIFICATIONS:
 FREQ RANGE _____ 3.30 TO 4.90 GHz
 VSWR _____ 1.05 : 1 MAX
 INSERTION LOSS _____ 0.02 db MAX
 ISOLATION _____ 80 db MIN
 SWITCHING TIME _____ 100 mSec
 PRESSURE _____ TO 30 PSIG
 MATERIAL _____ ALUMINUM ALLOY
 FINISH _____ CHEM FILM & SATIN BLACK ENAMEL (EXCEPT FLANGE FACES)
 LIFE _____ 200,000 OPERATIONS MIN.

NOTES:
 1. ** MANUAL SWITCH DOES NOT INCLUDE RECEPTACLE.
 2. BLUE BOXES ARE REQUIRED FIELDS.
 3. !! IF OPTION IS NOT REQUIRED, LEAVE (GOLD BOX) BLANK

VOLTAGE	AMPS	CODE
+22 TO +32	2	A
-22 TO -32	2	B
+10 TO +14	2	C
-10 TO -14	2	D
+44 TO +54	1	E
-44 TO -54	1	F
117VAC	0.5	H
235VAC	0.5	K
MANUAL **		M

PART NO. SELECTION

CODE	FLANGE	CODE	!! OPTION
F	CPRF	M	METRIC THREAD
G	CPRG		

!! OPTION	CODE
SPDT	1

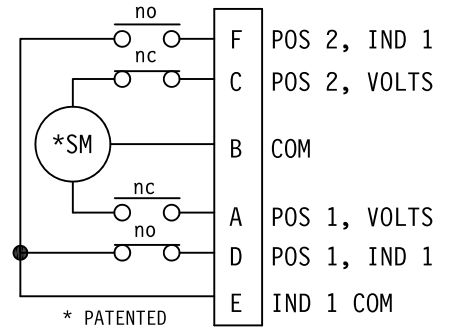
CODE	ENVIRONMENTAL
S	SEALED

2	
PART NO.	2
SERIES	CODE

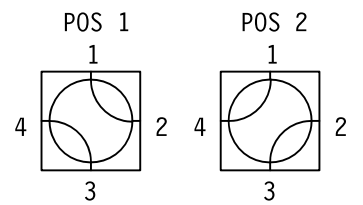
FAILSAFE	F
!! OPTION	CODE

!! ELECTRICAL CIRCUIT (IF OTHER THAN STD.) SEE SCHEMATIC PAGE

PART NO. EX.: 2AGS2
 WR229 WG SWITCH, +28VDC, CPRG
 (GROOVED) FLANGE, SEALED, CKT #2



* PATENTED
 STD. ELECTRICAL CKT.
 Shown in Position 1
 ONE FORM C



RF PATHS

WEB SITE: www.sectormicrowave.com

ZONE	LTR	DESCRIPTION	APV	DATE
	E	UPDATED DRIVE HOUSING.	RR	1/4/16
	D	ADDED RF PATHS TO TOP VIEW.	TN	9/23/14
	C	ADDED FAILSAFE OPTION	T.N.	12/20/10
	B	8.62 MAX WAS 8.4 MAX	T.N.	9/5/08
	A	RELEASED.	R.R.	10/9/06
REVISIONS				

TOLERANCES: DECIMALS 2 PLACES: +/- .03 3 PLACES: +/- .010 FRACTIONS: +/- 1/64 ANGLES: +/- 1/2 deg.	DRAWN	A.C.	10/9/06	SECTOR MICROWAVE IND., INC.
	CHECKED			
	APVD	R.R.	10/9/06	WR229, W/G SWITCH, LT.WEIGHT, SEALED
	APVD			SIZE L MFG CODE 53263 2xxS SEALED SW. E
				SCALE: 1/2 UNIT WT. SHEET 1 OF 1 REV.