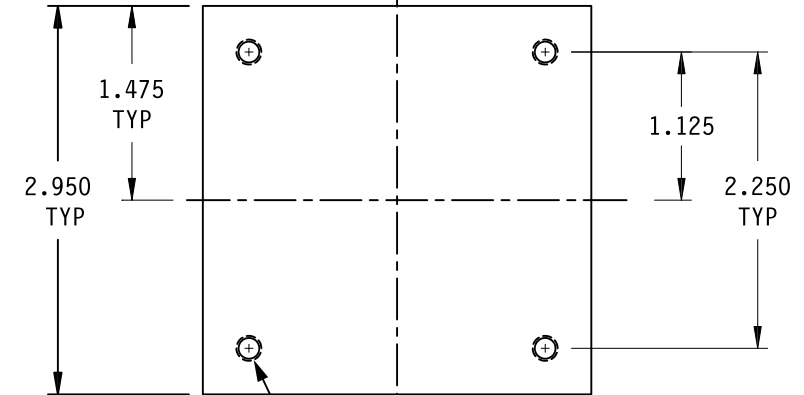
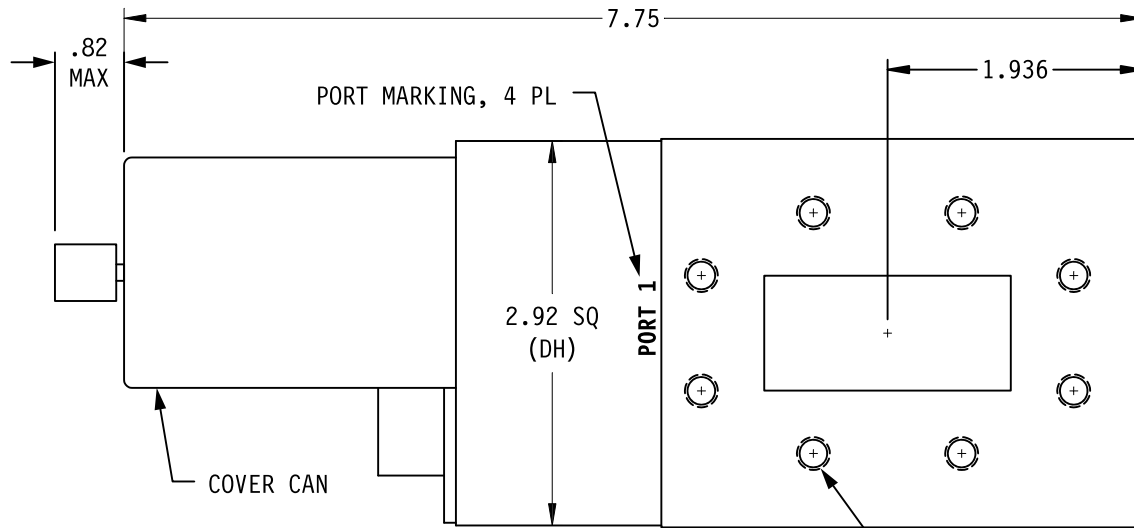
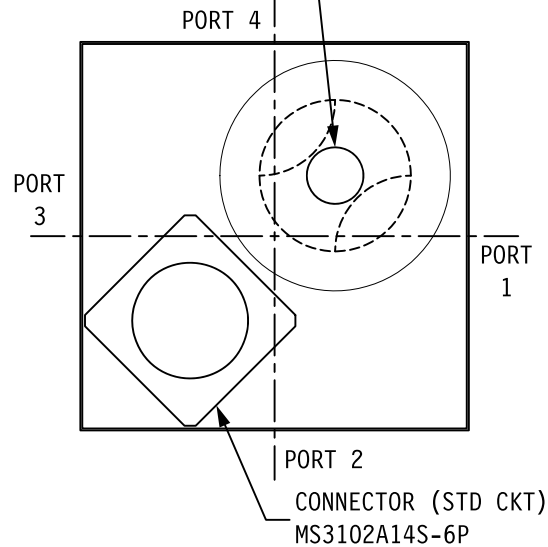


Cxx SHELTERED SER

MANUAL OVERRIDE KNOB
& RF PATH INDICATOR



WR187 (CPRF FLANGE SHOWN)
1/4-20 x .31 DP., 8 PL. TYP
(M6 FOR METRIC FL.)

(4) 10-32 UNF x .31 DP
M5x0.8, (ON METRIC UNITS)

SPECIFICATIONS;
 FREQ RANGE ——— 3.95 TO 5.85 GHz
 VSWR ——— 1.05 : 1 MAX
 INSERTION LOSS — .02 db MAX
 ISOLATION ——— 80 db MIN
 SWITCHING TIME — 80 mSec
 PRESSURE ——— TO 30 PSIG (R-F HEAD ONLY)
 MATERIAL ——— ALUMINUM HOUSING
 FINISH ——— SATIN BLACK ENAMEL &
 IRIDITE ON FLANGE FACES
 LIFE ——— 200,000 OPERATIONS, MIN.

NOTES:
 1. ** MANUAL SWITCH DOES NOT INCLUDE RECEPTACLE.
 2. BLUE BOXES ARE REQUIRED FIELDS.
 3. !! IF OPTION IS NOT REQUIRED, LEAVE (GOLD BOX) BLANK

VOLTAGE	AMPS	CODE
+22 TO +32	2	A
-22 TO -32	2	B
+10 TO +14	2	C
-10 TO -14	2	D
+44 TO +54	1	E
-44 TO -54	1	F
117VAC	0.5	H
235VAC	0.5	K
MANUAL **		M

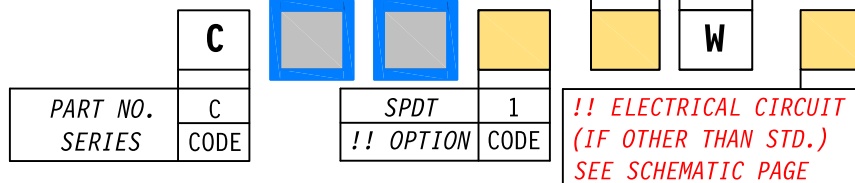
PART NO. SELECTION

CODE	FLANGE
F	CPRF
G	CPRG

CODE	!! OPTION
M	METRIC THREAD

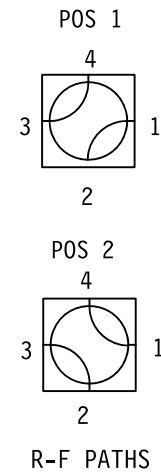
(USED IN A SHELTERED ENVIRONMENT)

CODE	ENVIRONMENTAL
W	SHELTERED

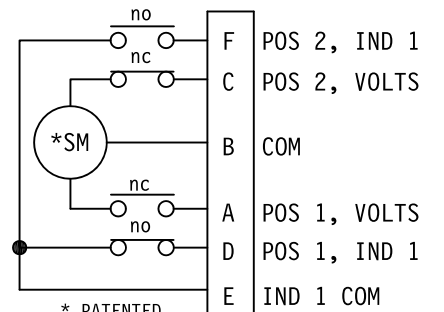


PART NO. EX.: CAGMW2

WR187 WG SWITCH, +28VDC, CPRG (GROOVED)
FLANGE, METRIC THDS, SHELTERED, CKT #2



R-F PATHS



* PATENTED

STD. ELECTRICAL CKT.
Shown in Position 1
ONE FORM C

ZONE	LTR	DESCRIPTION	APV	DATE
	B	CHANGED KNOB FROM LARGE TO SMALL, DIM FROM 1.0 TO .82.	RR	4/26/12
	A	REVISED DRIVE ASSY. REDRAWN ON CAD NO CHANGE (2/25/00)	JP	2-2-93
REVISIONS				

TOLERANCES: DECIMALS 2 PLACES: +/- .03 3 PLACES: +/- .010 FRACTIONS: +/- 1/32 ANGLES: +/- 1/2 deg.	DRAWN A.C.	7/17/89
	CHECKED	
	APVD	J.P. 7/17/89
	APVD	

SECTOR MICROWAVE IND., INC.			
WR187 SHELTERED W/G SW. SER.			
SIZE L	CAGE CODE 53263	Cxx SHELTERED SERIES	
SCALE: 1=1.5	UNIT WT.	SHEET 1 OF 1	B REV.