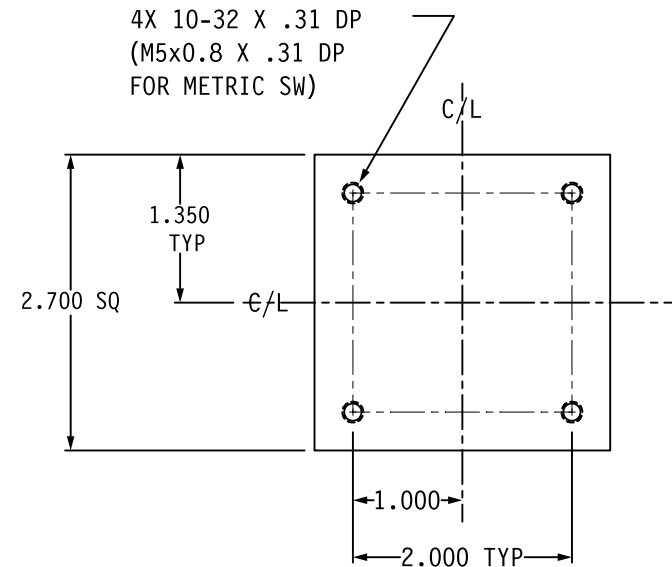
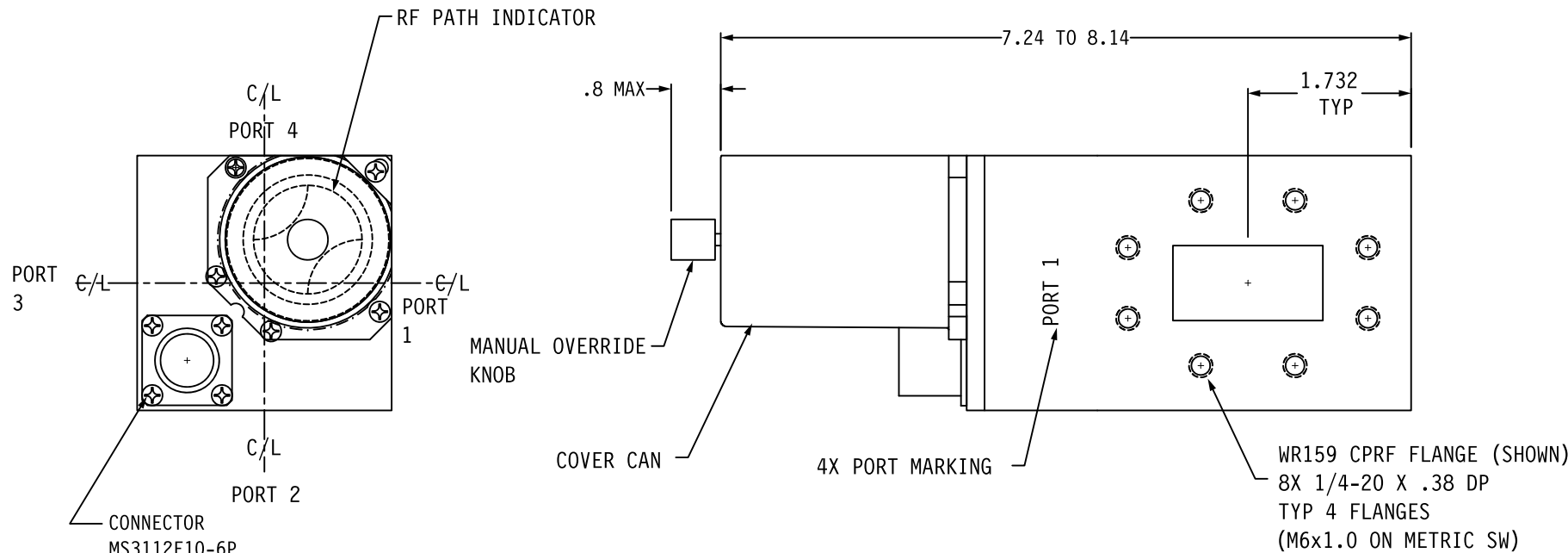


5xxW SHELTERED SER.



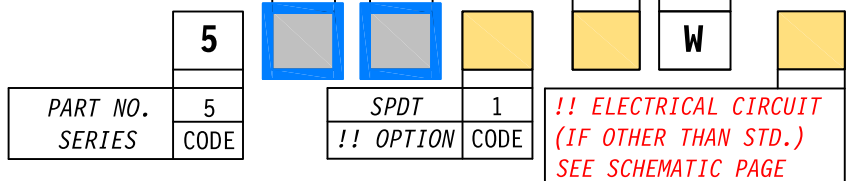
SPECIFICATIONS:
 FREQ RANGE _____ 4.90 TO 7.05 GHz
 VSWR _____ 1.05 : 1 MAX
 INSERTION LOSS _____ 0.02 dB MAX
 ISOLATION _____ 70 dB MIN
 SWITCHING TIME _____ 80 mSEC TYP
 PRESSURE _____ TO 30 PSIG (RF HEAD ONLY)
 MATERIAL _____ ALUMINUM HOUSING
 FINISH _____ CHEM FILM & SATIN BLACK FINISH (EXCEPT FLANGE FACES)
 LIFE _____ 200,000 OPERATIONS, MIN.

NOTES:
 1. ** MANUAL SWITCH DOES NOT INCLUDE RECEPTACLE.
 2. BLUE BOXES ARE REQUIRED FIELDS.
 3. !! IF OPTION IS NOT REQUIRED, LEAVE (GOLD BOX) BLANK

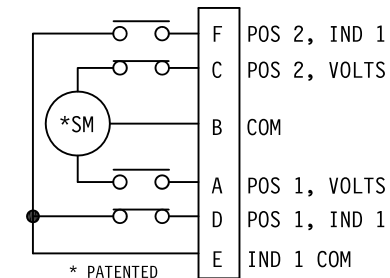
VOLTAGE	AMPS	CODE
+22 TO +32	2	A
-22 TO -32	2	B
+10 TO +14	2	C
-10 TO -14	2	D
+44 TO +54	1	E
-44 TO -54	1	F
117VAC	0.5	H
235VAC	0.5	K
MANUAL **		M

PART NO. SELECTION

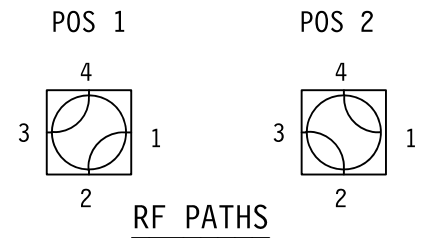
CODE	FLANGE	CODE	!! OPTION
F	CPRF	M	METRIC THREAD
G	CPRG		(USED IN A SHELTERED ENVIRONMENT)
		W	ENVIRONMENTAL SHELTERED



PART NO. EX.: 5AGW2
 WR159 WG SWITCH, +28VDC, CPRG (GROOVED) FLANGE, SHELTERED, CKT #2



STD. ELECT. CKT.
 Shown in Pos. 1
 ONE FORM C



WEB SITE: www.sectormicrowave.com

ZONE	LTR	DESCRIPTION	APV	DATE
	A	RELEASED	AC	6/1/93
REVISIONS				

TOLERANCES:	DRAWN	A.C.	6/1/93
DECIMALS	CHECKED		
2 PLACES: +/- .03	APVD	J.P.	6/1/93
3 PLACES: +/- .010	APVD		
FRACTIONS: +/- 1/64			
ANGLES: +/- 1/2 deg.			

SECTOR MICROWAVE IND., INC.

WR159 SHELTERED WG SW SERIES

SIZE L	MFG CODE 53263	5xxW SHELTERED SER.	A
SCALE: NONE	UNIT WT.	SHEET 1 OF 1	REV.