

SPECIFICATIONS:

FREQ RANGE 4.90 TO 7.05 GHz
 VSWR 1.05 : 1 MAX
 INSERTION LOSS 0.02 dB MAX
 ISOLATION 70 dB MIN
 SWITCHING TIME 80 mSEC TYP
 PRESSURE TO 30 PSIG (RF HEAD ONLY)
 MATERIAL ALUMINUM HOUSING
 FINISH CHEM FILM & SATIN BLACK FINISH (EXCEPT FLANGE FACES)
 LIFE 200,000 OPERATIONS, MIN.

NOTES:
 1. ** MANUAL SWITCH DOES NOT INCLUDE RECEPTACLE.
 2. BLUE BOXES ARE REQUIRED FIELDS.
 3. !! IF OPTION IS NOT REQUIRED, LEAVE (GOLD BOX) BLANK

VOLTAGE	AMPS	CODE
+22 TO +32	2	A
-22 TO -32	2	B
+10 TO +14	2	C
-10 TO -14	2	D
+44 TO +54	1	E
-44 TO -54	1	F
117VAC	0.5	H
235VAC	0.5	K
MANUAL **		M

PART NO. SELECTION

CODE	FLANGE
F	CPRF
G	CPRG

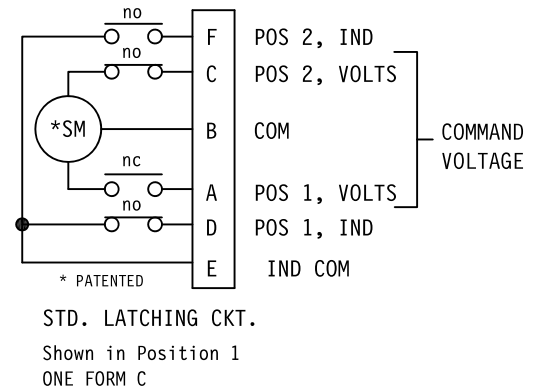
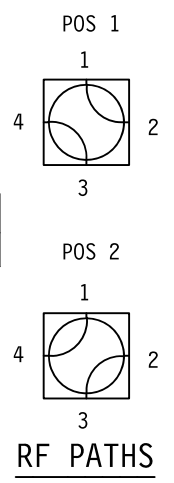
CODE	!! OPTION
M	METRIC THREAD

CODE	ENVIRONMENTAL
S	SEALED

CODE	!! OPTION
F	FAILSAFE

CODE	!! OPTION
S	

!! ELECTRICAL CIRCUIT (IF OTHER THAN STD.) SEE SCHEMATIC PAGE



5	
PART NO.	5
SERIES	CODE

SPDT	1
!! OPTION	CODE

PART NO. EX.: 5AGS2
 WR159 WG SWITCH, +28VDC, CPRG (GROOVED) FLANGE, SEALED, CKT #2

WEB SITE: www.sectormicrowave.com

ZONE	LTR	DESCRIPTION	APV	DATE
	A	ADDED FAILSAFE OPTION	TN	12/17/10
	-	RELEASED.	JP	7/11/89
REVISIONS				

TOLERANCES:	DRAWN	A.C.	7/11/89
DECIMALS	CHECKED		
2 PLACES: +/- .03	APVD	J.P.	7/11/89
3 PLACES: +/- .010	APVD		
FRACTIONS: +/- 1/64			
ANGLES: +/- 1/2 deg.			

SECTOR MICROWAVE IND., INC.

WR159 WG SWITCH, SEALED SERIES

SIZE	L	MFG CODE	53263	5xxxS (SEALED SER.)	A
SCALE:	NONE	UNIT WT.		SHEET 1 OF 1	REV.