

SPECIFICATIONS:

- FREQ RANGE — 5.85 TO 8.20 GHz
- VSWR — 1.05 : 1 MAX
- INSERTION LOSS — 0.02 db MAX
- ISOLATION — 60 db MIN
- SWITCHING TIME — 60 mSEC, TYP
- PRESSURE — TO 30 PSIG (R-F HEAD)
- FINISH — IRIDITE ON FLANGES, SATIN BLACK FINISH ON REST OF BODY

VOLTAGE	AMPS	CODE
+22 TO +32	0.9	A
-22 TO -32	0.9	B
+10 TO +14	1.5	C
-10 TO -14	1.5	D
+44 TO +54	0.5	E
-44 TO -54	0.5	F
117VAC	0.5	H
235VAC	0.5	K
MANUAL **		M

PART NO. SELECTION

CODE	FLANGE
F	CPRF
G	CPRG
M	CMR

CODE	!! OPTION
M	METRIC THREAD

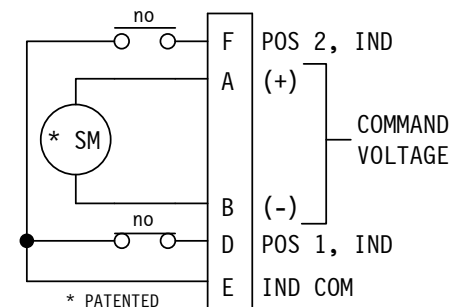
!! OPTION	CODE
SPDT	1

3-					
PART NO. SERIES	3-				
	CODE	FAILSAFE	F	!! ELECTRICAL CIRCUIT (IF OTHER THAN STD.)	
		!! OPTION	CODE		

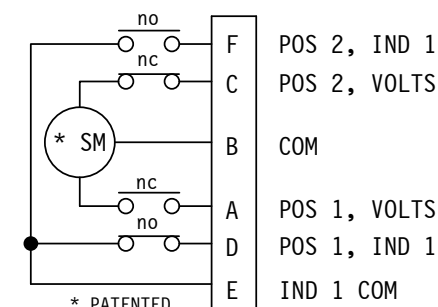
PART NO. EX.: 3-AFFM
WR137 WG SWITCH, +28VDC, CPRF (FLAT) FLANGE, FAILSAFE, METRIC THDS.

FOR OTHER ELECT CKT'S SEE SCHEMATIC PAGE.

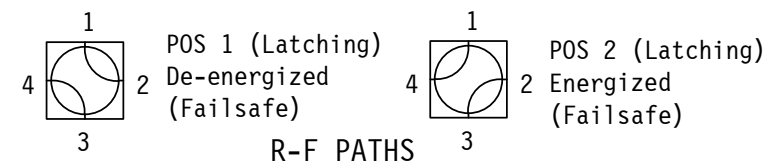
WEB SITE: www.sectormicrowave.com



STD. FAILSAFE ELECT CKT. Shown in De-energized Pos. ONE FORM C



STD. ELECTRICAL CKT. Shown in Position 1 ONE FORM C



NOTES:

1. ** MANUAL SWITCH DOES NOT INCLUDE RECEPTACLE.
2. BLUE BOXES ARE REQUIRED FIELDS.
3. !! IF OPTION IS NOT REQUIRED, LEAVE (GOLD BOX) BLANK

ZONE	LTR	DESCRIPTION	APV	DATE
	A	RELEASED	RR	12/17/03
REVISIONS				

TOLERANCES: DECIMALS 2 PLACES: +/- .03 3 PLACES: +/- .010 FRACTIONS: +/- 1/32 ANGLES: +/- 1/2 deg.	DRAWN	J TRACY	12/17/03
	CHECKED		
	APVD	RR	12/17/03
	APVD		

SECTOR MICROWAVE IND., INC.			
WR137 W/G SWITCH SERIES			
SIZE	L	CAGE CODE	53263
3-xxx STD. SERIES			A
SCALE: NONE	UNIT WT.	SHEET 1 OF 1	REV.