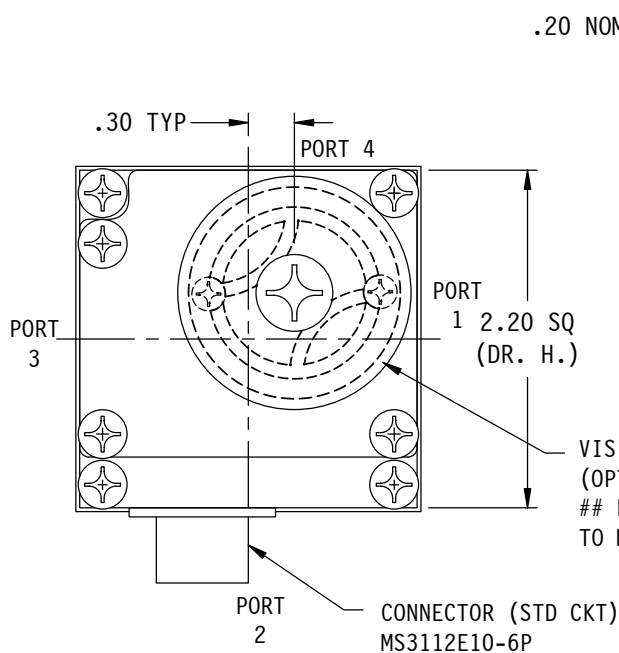
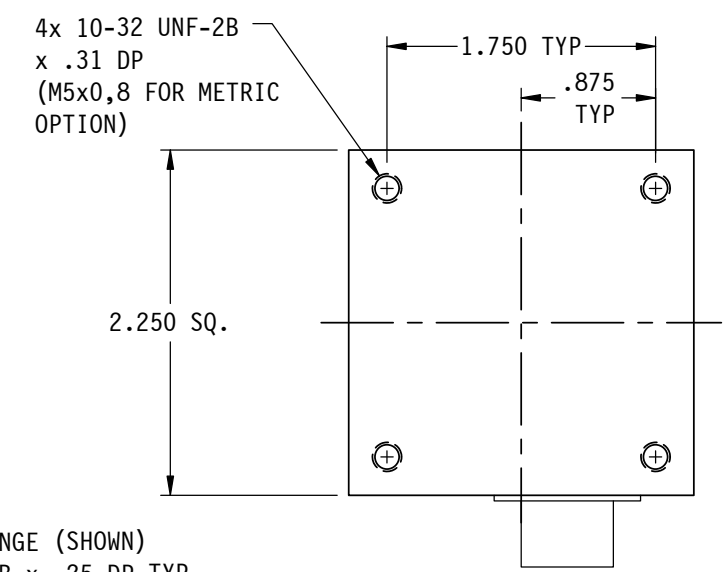
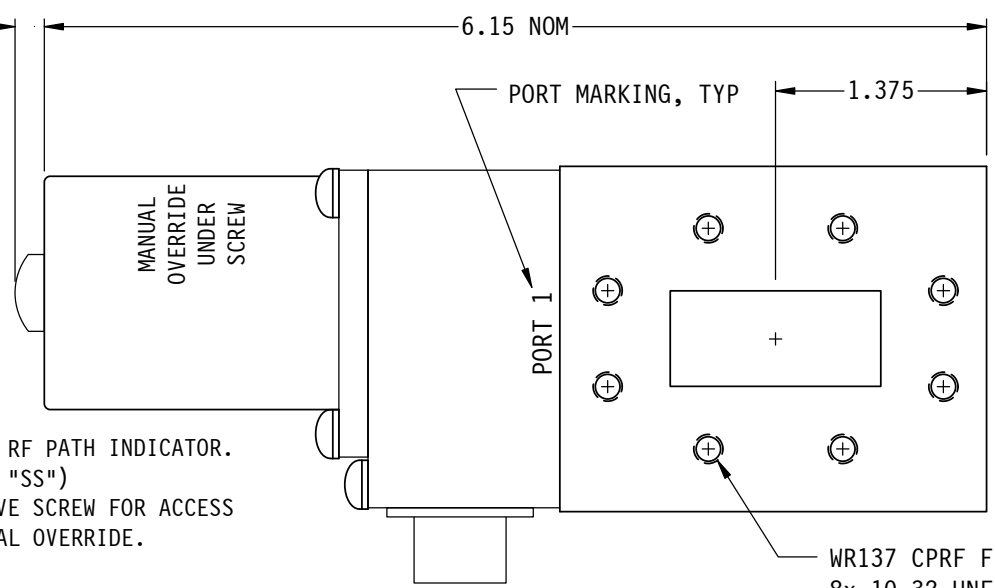


**3-xxS SEALED SER.**



VISIBLE RF PATH INDICATOR.  
(OPTION "SS")  
## REMOVE SCREW FOR ACCESS  
TO MANUAL OVERRIDE.



4x 10-32 UNF-2B  
x .31 DP  
(M5x0,8 FOR METRIC  
OPTION)

WR137 CPRF FLANGE (SHOWN)  
8x10-32 UNF-2B x .25 DP TYP  
(M5x0,8 FOR METRIC OPTION)

**SPECIFICATIONS:**  
 FREQ RANGE 5.85 TO 8.20 GHz  
 VSWR 1.05 : 1 MAX  
 INSERTION LOSS 0.02 db MAX  
 ISOLATION 60 db MIN  
 SWITCHING TIME 60 mSEC, TYP  
 PRESSURE TO 30 PSIG (R-F HEAD)  
 FINISH IRIDITE ON FLANGES,  
 SATIN BLACK FINISH  
 ON REST OF BODY

**NOTES:**  
 1. \*\* MANUAL SWITCH DOES NOT INCLUDE RECEPTACLE.  
 2. BLUE BOXES ARE REQUIRED FIELDS.  
 3. !! IF OPTION IS NOT REQUIRED, LEAVE (GOLD BOX) BLANK

VOLTAGE	AMPS	CODE
+22 TO +32	0.9	A
-22 TO -32	0.9	B
+10 TO +14	1.5	C
-10 TO -14	1.5	D
+44 TO +54	0.5	E
-44 TO -54	0.5	F
117VAC	0.5	H
235VAC	0.5	K
MANUAL **		M

**PART NO. SELECTION**

CODE	FLANGE
F	CPRF
G	CPRG
M	CMR

CODE	!! OPTION
M	METRIC THREAD

!! OPTION	CODE
SPDT	1

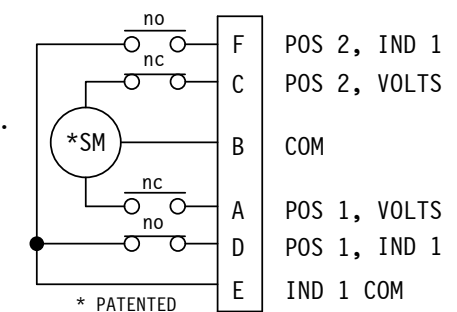
CODE	ENVIRONMENTAL
S	SEALED
SS	## SEALED WITH REMOVABLE SCREW

PART NO. SERIES	3-	FAILSAFE	F
	CODE	!! OPTION	CODE

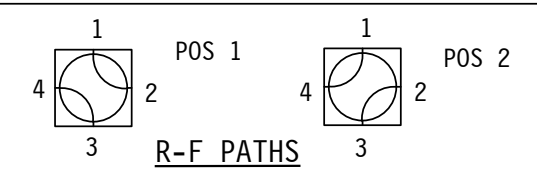
PART NO. EX.: 3-AG1MS2

WR137 LATCHING WG SWITCH, +28VDC, CPRG FLANGE, SPDT (PORT 4 COVER PL), METRIC THREADS, SEALED, CKT #2 (2 FORM C's)

## TOP EXTERIOR SCREW CAN BE REMOVED ALLOWING ACCESS TO MANUAL OVERRIDE. No. 1 PHILLIPS SCREWDRIVER REQUIRED.



STD. ELECTRICAL CKT.  
Shown in Position 1  
ONE FORM C



WEB SITE: [www.sectormicrowave.com](http://www.sectormicrowave.com)

ZONE	LTR	DESCRIPTION	APV	DATE
	A	RELEASED	RR	12/17/03
<b>REVISIONS</b>				

TOLERANCES:	DRAWN	J TRACY	12/17/03
DECIMALS	CHECKED		
2 PLACES: +/- .03	APVD	RR	12/17/03
3 PLACES: +/- .010	APVD		
FRACTIONS: +/- 1/32			
ANGLES: +/- 1/2 deg.			

<b>SECTOR MICROWAVE IND., INC.</b>			
WR137 SEALED W/G SWITCH SERIES			
SIZE L	CAGE CODE 53263	3-xxS SEALED SER.	A
SCALE: NONE	UNIT WT.	SHEET 1 OF 1	REV.