

VISIBLE RF PATH INDICATOR.
(REMOVE CAP FOR ACCESS
TO MANUAL OVERRIDE)

WR75 PLAIN FLANGE
4X 6-32 X .25 DP, TYP
M4 THD FOR METRIC SW.

CONNECTOR MS3112E SERIES
OR EQUIV.
(SIZE DEPENDENT ON CKT)

- SPECIFICATIONS:**
- FREQ RANGE (GHz) — 10.0 TO 15.0
 - VSWR (MAX) — 1.08 : 1 (1.05:1 TYP)
 - INS. LOSS (MAX) — 0.05 dB
 - ISOLATION (MIN) — 60 dB
 - SWITCHING TIME — 50mSec, TYP
 - LIFE — 100,000 CYCLES, MIN
 - VOLTAGE — SEE P/N SELECTION
 - PRESSURE — TO 30 PSIG
 - FINISH — CHEM FILM ON FLANGES, SATIN BLACK FINISH ON REST OF BODY.

- NOTES:**
1. ** MANUAL SWITCH DOES NOT INCLUDE RECEPTACLE.
 2. BLUE BOXES ARE REQUIRED FIELDS.
 3. !! IF OPTION IS NOT REQUIRED, LEAVE (GOLD BOX) BLANK
 4. ## SINGLE POLE DOUBLE THROW (SPDT) OPTION ADDS A SHORTING PLATE ON PORT 4.

VOLTAGE	AMPS	CODE
+22 TO +32	0.9	A
-22 TO -32	0.9	B
+10 TO +14	1.5	C
-10 TO -14	1.5	D
+44 TO +54	0.5	E
-44 TO -54	0.5	F
117VAC	0.5	H
235VAC	0.5	K
MANUAL **		M

PART NO. SELECTION

CODE	FLANGE
P	PLAIN
C	CHOKE
O	O-RING
F	CPRF
G	CPRG

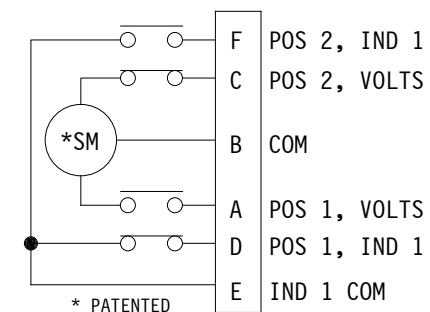
CODE	!! OPTION
M	METRIC THREAD

CODE	ENVIRONMENTAL
S	SEALED

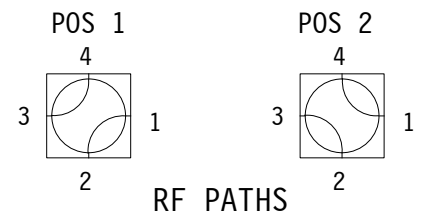
PART NO. SERIES	75		
	CODE		
SPDT ##		1	
	!! OPTION		CODE

!! ELECTRICAL CIRCUIT (IF OTHER THAN STD.) SEE SCHEMATIC PAGE

NUMBER NOT REQ'D FOR STANDARD CIRCUIT.



STD. ELECT. CKT.
Shown in Pos. 1
ONE FORM C



PART NO. EX.: 75APS2
WR75 WG SWITCH, +28VDC, PLAIN FLANGE, SEALED, CKT #2

SEE NOTE 4

WEB SITE: www.sectormicrowave.com

ZONE	LTR	DESCRIPTION	APV	DATE
	D	DELETED FAILSAFE OPTION (SEE SEALED FAILSAFE SERIES)	TN	11/21/18
	C	REPLACED SEALED CAN WITH SEALED CAP. DELETED SS OPTION.	TN	8/14/18
	B	ADDED NOTE 4	TN	11/30/09
	A	RELEASED.	TN	12/9/03
REVISIONS				

TOLERANCES:
DECIMALS
2 PLACES: +/- .03
3 PLACES: +/- .010
FRACTIONS: +/- 1/64
ANGLES: +/- 1/2 deg.

DRAWN	A.C.	12/9/03
CHECKED		
APVD	T.N.	12/9/03
APVD		

SECTOR MICROWAVE IND., INC.

WR75 W/G SWITCH SEALED SERIES			
SIZE	L	CAGE CODE	53263
SCALE: NONE	UNIT WT.		
WR75 SEALED SER.			D
SHEET 1 OF 1			REV.