

75B SERIES

SPECIFICATIONS:

	W/G	COAX
FREQ RANGE (GHz)	10.0 TO 15.0	0 - 2.0
VSWR (MAX)	1.08 : 1	1.15 : 1
INS. LOSS (MAX)	0.05 db	0.10 db
ISOLATION (MIN)	70 db	70 db
SWITCHING TIME	75 mSEC, TYP	
PRESSURE	TO 15 PSIG (R-F HEAD ONLY)	
FINISH	IRIDITE ON FLANGES, SATIN BLACK ENAMEL ON REST OF BODY.	

VOLTAGE	AMPS	CODE
+22 TO +32	0.9	A
-22 TO -32	0.9	B
+10 TO +14	1.5	C
-10 TO -14	1.5	D
+44 TO +54	0.5	E
-44 TO -54	0.5	F
117VAC	1.2	H
235VAC	0.5	K
MANUAL #		M

PART NO. SELECTION

CODE	FLANGE
P	PLAIN
C	CHOKE
O	O-RING
F	CPRF
G	CPRG

CODE	!! OPTION
M	METRIC THREAD

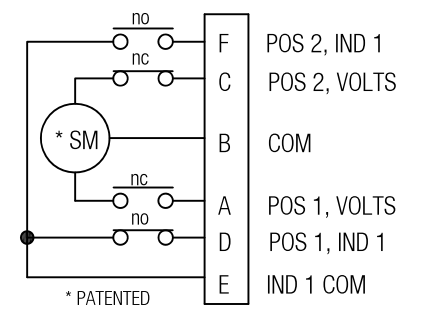
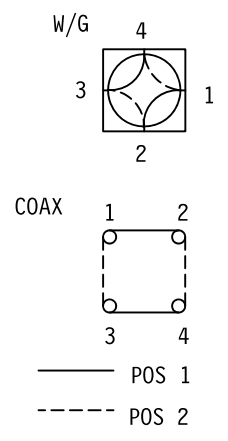
!! ELECTRICAL CIRCUIT (IF OTHER THAN STD.) SEE SCHEMATIC PAGE

PART NO.	75B	SPDT	1
	SERIES		CODE
		!! OPTION	CODE

PART NO. EX.: 75BAPM2
WR75 WG/BNC DUAL SWITCH, +28VDC, PLAIN FLANGE, METRIC THDS., CKT #2

57	50 OHM BNC USED @ 75 OHM
75	75 OHM BNC
CODE	!! OPTION

NOTE: 50 OHM BNC CONN STD.



STD. ELECTRICAL CKT. Shown in Position 1 ONE FORM C

R-F PATHS

ZONE	LTR	DESCRIPTION	APV	DATE
	A	M3.0 BOTTOM MTG HOLES WERE M3.5.	T.N.	9/8/03
	-	RELEASED	A.C.	1/8/99
REVISIONS				

TOLERANCES:	DRAWN	A.C.	1/8/99
DECIMALS	CHECKED		
2 PLACES: +/- .03	APVD	S.W.	1/8/99
3 PLACES: +/- .010	APVD		
FRACTIONS: +/- 1/64			
ANGLES: +/- 1/2 deg.			

SECTOR MICROWAVE IND., INC.

WR75 DUAL W/G-COAX (BNC) SWITCH

SIZE L	MFG CODE 53263	75B SERIES	A
SCALE: NONE	UNIT WT.	SHEET 1 OF 1	REV.