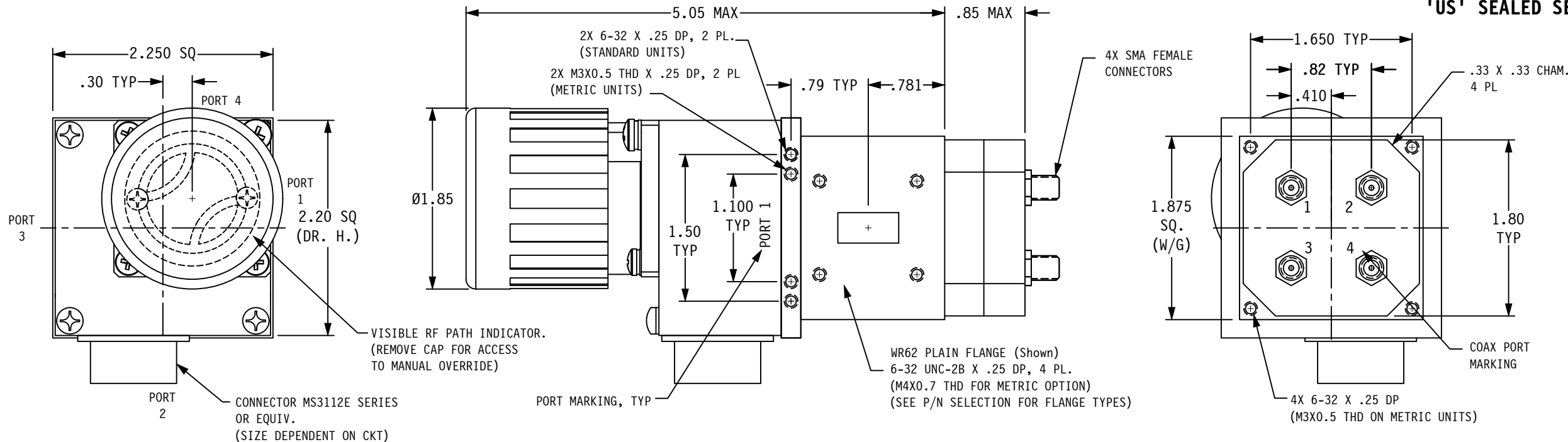


'US' SEALED SER.



**SPECIFICATIONS;**

	W/G	COAX
FREQ RANGE	12.4 TO 18.0 GHz	
INSERTION LOSS	0.10 dB MAX	0.50 dB MAX **
VSWR	1.10 : 1 MAX	1.50 : 1 MAX **
ISOLATION	60 dB MIN	50 dB MIN
R-F POWER	3 KWA	10 WATTS
PRESSURE	TO 30 PSIG	
SWITCHING TIME	75 mSEC, TYP	
DRIVE	LATCHING, SECTOR MOTOR	
VOLTAGE	SEE P/N SELECT.	
FINISH	CHEM FILM ON FLANGES, SATIN BLACK FINISH ON BODY.	

\*\* VSWR 1.35 : 1 (12.4 TO 15 GHz)  
INS. LOSS 0.35 dB (12.4 TO 15 GHz)

- NOTES:**
- # MANUAL SWITCH DOES NOT INCLUDE RECEPTACLE.
  - BLUE BOXES ARE REQUIRED FIELDS.
  - !! IF OPTION IS NOT REQUIRED, LEAVE (GOLD BOX) BLANK

VOLTAGE	AMPS	CODE
+22 TO +32	0.9	A
-22 TO -32	0.9	B
+10 TO +14	1.5	C
-10 TO -14	1.5	D
+44 TO +54	0.5	E
-44 TO -54	0.5	F
117VAC	1.2	H
235VAC	0.5	K
MANUAL #		M

**PART NO. SELECTION**

CODE	FLANGE
P	PLAIN
C	CHOKE
O	O-RING

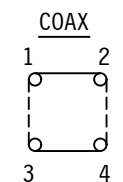
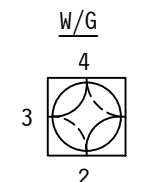
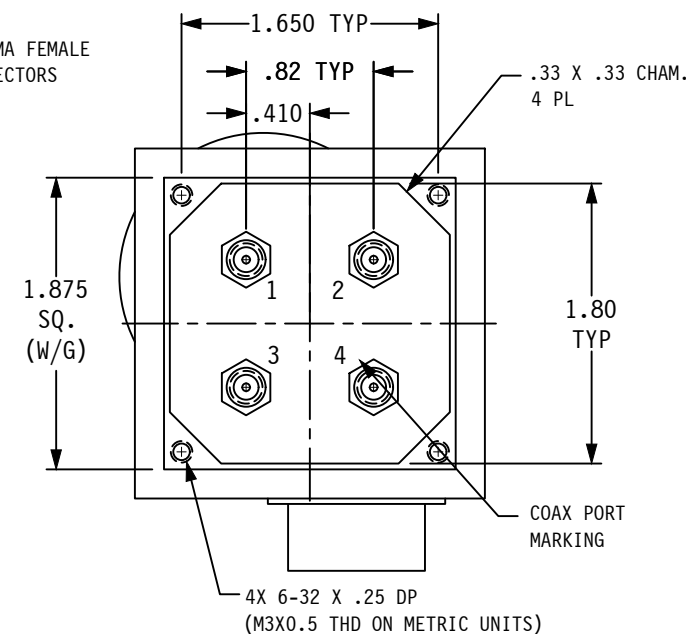
CODE	!! OPTION
M	METRIC THREAD

CODE	ENVIRONMENTAL
S	SEALED

US			
PART NO. SERIES	US	SPDT	1
CODE		!! OPTION	CODE

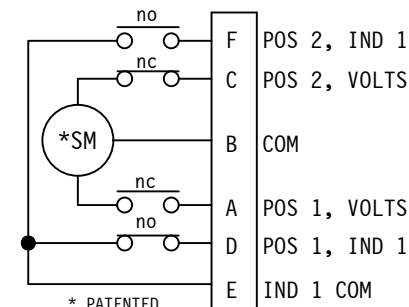
PART NO. EX.: USAPMS2  
WR62 WG/SMA DUAL SWITCH, +28VDC, PLAIN FLANGE, METRIC THDS., SEALED, CKT #2

!! ELECTRICAL CIRCUIT (IF OTHER THAN STD.) SEE SCHEMATIC PAGE



— POS 1  
- - - POS 2

**RF PATHS**



STD. ELECTRICAL CKT. Shown in Position 1 ONE FORM C

WEB SITE: [www.sectormicrowave.com](http://www.sectormicrowave.com)

ZONE	LTR	DESCRIPTION	APV	DATE
	B	REPLACED SEALED CAN WITH SEALED CAP. DELETED SS OPTION.	RR	10/8/18
	A	RELEASED	RR	9/30/03
<b>REVISIONS</b>				

**TOLERANCES:**  
DECIMALS  
2 PLACES: +/- .03  
3 PLACES: +/- .010  
FRACTIONS: +/- 1/64  
ANGLES: +/- 1/2 deg.

DRAWN	AC	9/30/03
CHECKED		
APVD	RR	9/30/03
APVD		

**SECTOR MICROWAVE IND., INC.**

WR62 DUAL W/G - SMA COAX SW. SEALED SERIES

SIZE	L	CAGE CODE	53263	USxx SEALED DUAL SERIES	B
SCALE:	NONE	UNIT WT.		SHEET	1 OF 1
					REV.