

SPECIFICATIONS:

- FREQ RANGE (GHz) — 12.4 TO 18.0
- VSWR (MAX) — 1.10 : 1 (1.08:1 TYP)
- INS. LOSS (MAX) — 0.10 dB
- ISOLATION (MIN) — 60 dB
- SWITCHING TIME — 50mSec TYP
- LIFE — 100,000 CYCLES MIN
- VOLTAGE — SEE P/N SELECTION
- PRESSURE — TO 30 PSIG
- FINISH — CHEM FILM ON FLANGES, SATIN BLACK FINISH REST OF BODY.

- NOTES:**
1. ** MANUAL SWITCH DOES NOT INCLUDE RECEPTACLE.
 2. BLUE BOXES ARE REQUIRED FIELDS.
 3. !! IF OPTION IS NOT REQUIRED, LEAVE (GOLD BOX) BLANK
 4. ## SINGLE POLE DOUBLE THROW (SPDT) OPTION ADDS A SHORTING PLATE ON PORT 4.

VOLTAGE	AMPS	CODE
+22 TO +32	0.9	A
-22 TO -32	0.9	B
+10 TO +14	1.5	C
-10 TO -14	1.5	D
+44 TO +54	0.5	E
-44 TO -54	0.5	F
117VAC	0.5	H
235VAC	0.5	K
MANUAL **		M

PART NO. SELECTION

CODE	FLANGE
P	PLAIN
C	CHOKE
O	O-RING

CODE	!! OPTION
M	METRIC THREAD

(USED IN A SHELTERED ENVIRONMENT)

CODE	ENVIRONMENTAL
W	SHELTERED

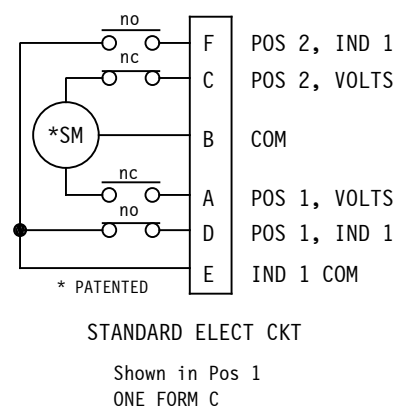
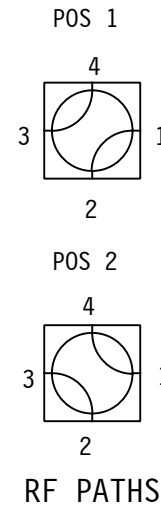
FOR OTHER ELECT CKT'S SEE SCHEMATIC PAGE.

U-						W
PART NO. SERIES	U- CODE	SPDT ##	1	!! ELECTRICAL CIRCUIT (IF OTHER THAN STD.)		NUMBER NOT REQ'D FOR STANDARD CIRCUIT

PART NO. EX.: U-APW2
WR62 WG SWITCH, +28VDC, PLAIN FLANGE, SHELTERED, CKT #2

SEE NOTE 4

NUMBER NOT REQ'D FOR STANDARD CIRCUIT



STANDARD ELECT CKT
Shown in Pos 1
ONE FORM C

WEB SITE: www.sectormicrowave.com

ZONE	LTR	DESCRIPTION	APV	DATE
	C	REPLACED SEALED COVER CAN WITH SEALED CAP.	RR	12/18/18
	B	ADDED NOTE 4	RR	10/16/09
	A	RELEASED.	RR	1/28/04
REVISIONS				

TOLERANCES: DECIMALS 2 PLACES: +/- .03 3 PLACES: +/- .010 FRACTIONS: +/- 1/32 ANGLES: +/- 1/2 deg.	DRAWN AC 1/28/04
	CHECKED
	APVD RR 1/28/04
	APVD

SECTOR MICROWAVE IND., INC.

WR62 SHELTERED SERIES WITH DR. HOUSING

SIZE	L	CAGE CODE	53263	U-xx SHELTERED SER.	C
SCALE: FULL	UNIT WT.	SHEET	1 OF 1	REV.	