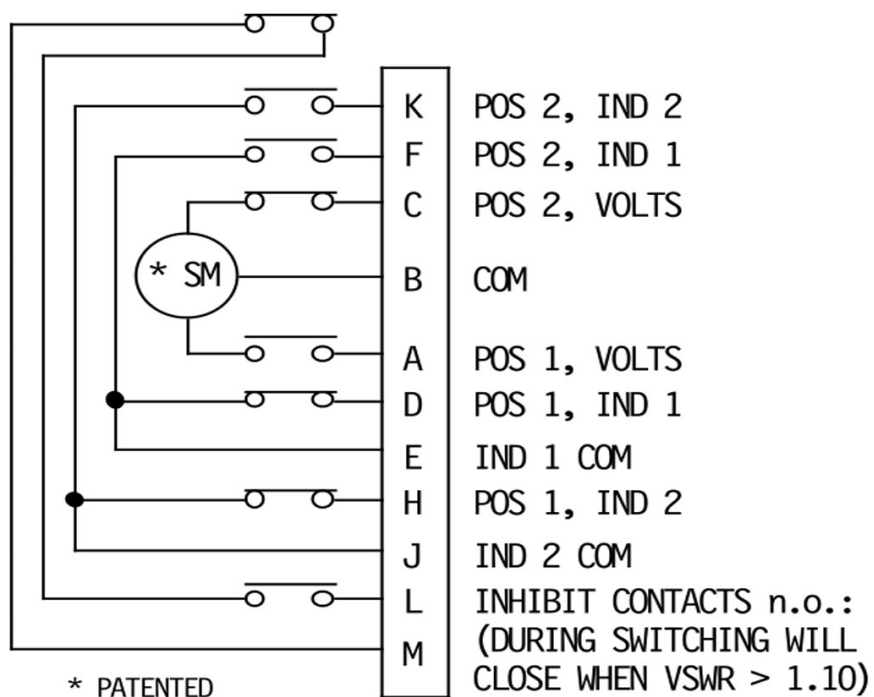


SWITCH SERIES:

SMALL: WR10 THROUGH WR137MINI
 LARGE: WR137LARGE THROUGH WR430

LATCHING ELECTRICAL CIRCUIT #5A



LATCHING ELECTRICAL CKT # 5A

Shown in Position 1
 TWO FORM C's & INHIBIT

SWITCH SERIES	CONNECTOR	MATING CONNECTOR
SMALL & LARGE	MS3112E14-12P	MS3116F14-12S



SECTOR MICROWAVE INDUSTRIES, INC.

<http://www.sectormicrowave.com>
