

CONNECTOR MS3112E SERIES OR EQUIV. (SIZE DEPENDENT ON CKT)

SPECIFICATIONS	W/G	COAX
FREQ RANGE (GHz)	22.0 TO 33.0	0 TO 22.0
VSWR (MAX)	1.10 : 1	1.5 : 1 (18-22 GHz)
INSERTION LOSS	.15 dB MAX	0.5 dB TYP
ISOLATION	55 dB MIN	70 dB MIN
VOLTAGE	SEE P/N SELECTION	
SWITCHING TIME	60 mSec, TYP	
PRESSURE	TO 30 PSIG	
LIFE	100,000 OPERATIONS, MIN	
FINISH	CHEM FILM ON FLANGES, SATIN BLACK FINISH ON DRIVE ASSY.	

- NOTES:
- ** MANUAL SWITCH DOES NOT INCLUDE RECEPTACLE.
 - BLUE BOXES ARE REQUIRED FIELDS.
 - !! IF OPTION IS NOT REQUIRED, LEAVE (GOLD BOX) BLANK

PART NO. SELECTION

VOLTAGE	AMPS	CODE
+22 TO +32	0.9	A
-22 TO -32	0.9	B
+10 TO +14	1.5	C
-10 TO -14	1.5	D
+44 TO +54	0.5	E
-44 TO -54	0.5	F
117VAC	1.2	H
235VAC	0.5	K
MANUAL **		M

CODE	FLANGE
P	PLAIN
O	O-RING

CODE	!! OPTION
1	SPDT

CODE	ENVIRONMENTAL
S	SEALED

34S			
PART NO. SERIES	34S	CODE	

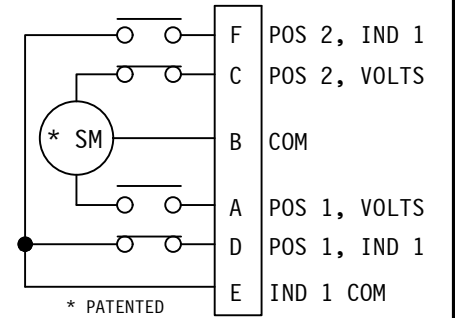
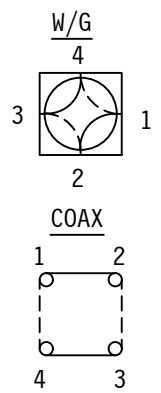
METRIC THREAD	M
!! OPTION	CODE

!! ELECTRICAL CIRCUIT (IF OTHER THAN STD.) SEE SCHEMATIC PAGE

PART NO. EX.: 34SAP4
WR34 WG/SMA DUAL SWITCH, +28VDC, PLAIN FLANGE, ELECT. CKT #4

WEB SITE: www.sectormicrowave.com

SMA PORT MARKING



STD. ELECTRICAL CKT. Shown in Position 1 ONE FORM C

RF PATHS
— POS 1
- - - POS 2

ZONE	LTR	DESCRIPTION	APV	DATE
	B	REPLACED SEALED CAN WITH SEALED CAP. DELETED SS OPTION.	TN	8/27/18
	A	RELEASED.	TN	10/8/08
REVISIONS				

TOLERANCES:	DRAWN	A.C.	10/8/08
DECIMALS	CHECKED		
2 PLACES: +/- .03	APVD	R.R.	10/8/08
3 PLACES: +/- .010	APVD		
FRACTIONS: +/- 1/64			
ANGLES: +/- 1/2 deg.			

SECTOR MICROWAVE IND., INC.

WR34 WG/SMA DUAL SW., SEALED

SIZE **L** MFG CODE **53263** WR34 WG/SMA SER., SEALED

SCALE: NONE UNIT WT. SHEET 1 OF 1 REV.