

SPECIFICATIONS:
 FREQ RANGE 12.4 TO 18.0 GHz
 VSWR 1.10 : 1 MAX
 INSERTION LOSS 0.10 db MAX
 ISOLATION 60 db MIN
 SWITCHING TIME 50 mSEC, TYP
 PRESSURE TO 30 PSIG (R-F HEAD)
 FINISH IRIDITE ON FLANGES, SATIN BLACK ENAMEL ON REST OF BODY.

NOTES:
 1. ** MANUAL SWITCH DOES NOT INCLUDE RECEPTACLE.
 2. BLUE BOXES ARE REQUIRED FIELDS.
 3. !! IF OPTION IS NOT REQUIRED, LEAVE (GOLD BOX) BLANK

VOLTAGE	AMPS	CODE
+22 TO +32	0.9	A
-22 TO -32	0.9	B
+10 TO +14	1.5	C
-10 TO -14	1.5	D
+44 TO +54	0.5	E
-44 TO -54	0.5	F
117VAC	0.5	H
235VAC	0.5	K
MANUAL **		M

PART NO. SELECTION

CODE	FLANGE
P	PLAIN
C	CHOKE
O	O-RING

!! ELECTRICAL CIRCUIT (IF OTHER THAN STD.)

CODE	!! OPTION
1	SPDT

LOCKING	CODE
	L

CODE	SW. LOCKED IN POSITION
1	POS. 1
2	POS. 2
3	POS. 1 & 2

CODE	KEY REMOVABLE
1	LOCKED POS.
2	LOCKED & UNLOCKED POS.

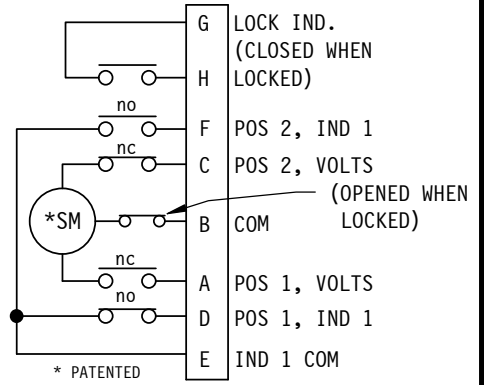
U	
PART NO. SERIES	U CODE

METRIC THREAD	M
!! OPTION	CODE

W	SHELTERED
CODE	!! OPTION

(USED IN A SHELTERED ENVIRONMENT)

(PART NO. EX.) UAPML32
 WR62 W/G SW., +28VDC, PLAIN FLANGE, METRIC THD's, LOCKING, BOTH POSITIONS WITH KEY REMOVABLE IN LOCKED & UNLOCKED POS.



STD. ELECTRICAL CKT. (with lock ind.)
 Shown in Position 1
 ONE FORM C

FOR OTHER ELECT CKT's SEE SCHEMATIC PAGE.

WEB SITE: www.sectormicrowave.com

ZONE	LTR	DESCRIPTION	APV	DATE
	A	RELEASED.	AC	5/18/99
REVISIONS				

TOLERANCES: DECIMALS 2 PLACES: +/- .03 3 PLACES: +/- .010 FRACTIONS: +/- 1/64 ANGLES: +/- 1/2 deg.	DRAWN A.C. 5/9/99
	CHECKED
	APVD D.N. 5/9/99
	APVD

SECTOR MICROWAVE IND., INC.

WR62 W/G SWITCH, LOCKING SERIES

SIZE	L	MFG CODE	53263	UxxLxx LOCKING SERIES	A
SCALE: NONE	UNIT WT.	SHEET 1 OF 1		REV.	