

SPECIFICATIONS;
 FREQ RANGE (GHz) — 22.0 - 33.0
 VSWR — 1.10 : 1 MAX
 INSERTION LOSS — 0.15 dB MAX
 ISOLATION — 55 dB MIN
 SWITCHING TIME — 50 mSec TYP
 PRESSURE — TO 30 PSIG (RF HEAD)
 FINISH — CHEM FILM ON FLANGES, SATIN BLACK FINISH ON BODY.

- NOTES:**
 1. ** MANUAL SWITCH DOES NOT INCLUDE RECEPTACLE.
 2. BLUE BOXES ARE REQUIRED FIELDS.
 3. !! IF OPTION IS NOT REQUIRED, LEAVE (GOLD BOX) BLANK
 4. ## SINGLE POLE DOUBLE THROW (SPDT) OPTION ADDS A SHORTING PLATE ON PORT 4.

| VOLTAGE | AMPS | CODE |
|------------|------|------|
| +22 TO +32 | 0.9 | A |
| -22 TO -32 | 0.9 | B |
| +10 TO +14 | 1.5 | C |
| -10 TO -14 | 1.5 | D |
| +44 TO +54 | 0.5 | E |
| -44 TO -54 | 0.5 | F |
| 117VAC | 0.5 | H |
| 235VAC | 0.5 | K |
| MANUAL ** | | M |

PART NO. SELECTION

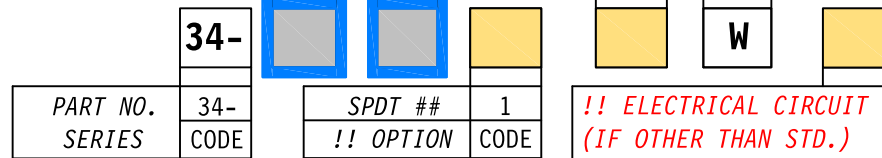
(USED IN A SHELTERED ENVIRONMENT)

| CODE | FLANGE |
|------|--------|
| P | PLAIN |
| O | O-RING |

| CODE | ENVIRONMENTAL |
|------|---------------|
| W | SHELTERED |

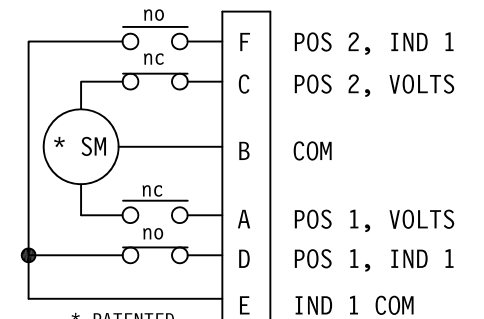
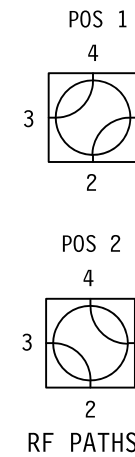
| !! OPTION | CODE |
|------------|------|
| METRIC THD | M |

FOR OTHER ELECT CKT'S SEE SCHEMATIC PAGE.



PART NO. EX.: 34-APW SEE NOTE 4
 WR34 LATCHING WG SWITCH, +28VDC,
 PLAIN FLANGE (SQUARE), SHELTERED.

NUMBER NOT REQ'D FOR STANDARD CIRCUIT.



* PATENTED
 STD. ELECTRICAL CKT.
 Shown in Position 1
 ONE FORM C

WEB SITE: www.sectormicrowave.com

| ZONE | LTR | DESCRIPTION | APV | DATE |
|------------------|-----|------------------------------|-----|----------|
| | B | "34-" WAS "34", ADDED NOTE 4 | TN | 12/10/09 |
| | A | RELEASED. | TN | 7/25/06 |
| REVISIONS | | | | |

| TOLERANCES: | DRAWN | AC | 7/25/06 |
|----------------------|---------|----|---------|
| DECIMALS | CHECKED | | |
| 2 PLACES: +/- .03 | APVD | RR | 7/25/06 |
| 3 PLACES: +/- .010 | APVD | | |
| FRACTIONS: +/- 1/32 | | | |
| ANGLES: +/- 1/2 deg. | | | |

| | | | |
|------------------------------------|------------------------|---------------------|------|
| SECTOR MICROWAVE IND., INC. | | | |
| WR34 WG SW. : SHELTERED SERIES | | | |
| SIZE L | CAGE CODE 53263 | WR34 SHELTERED SER. | B |
| SCALE: NONE | UNIT WT. | SHEET 1 OF 1 | REV. |