

SPECIFICATIONS;
 FREQ RANGE (GHz) — 33.0 - 50.0
 VSWR — 1.15:1 MAX
 INSERTION LOSS — 0.20 dB MAX
 ISOLATION — 50 dB MIN
 SWITCHING TIME — 50 mSec TYP
 PRESSURE — TO 30 PSIG (RF HEAD)
 FINISH — CHEM FILM ON FLANGES, SATIN BLACK FINISH ON BODY.

NOTES:
 1. ** MANUAL SWITCH DOES NOT INCLUDE RECEPTACLE.
 2. BLUE BOXES ARE REQUIRED FIELDS.
 3. !! IF OPTION IS NOT REQUIRED, LEAVE (GOLD BOX) BLANK
 4. ## SINGLE POLE DOUBLE THROW (SPDT) OPTION ADDS A SHORTING PLATE ON PORT 4.

VOLTAGE	AMPS	CODE
+22 TO +32	0.9	A
-22 TO -32	0.9	B
+10 TO +14	1.5	C
-10 TO -14	1.5	D
+44 TO +54	0.5	E
-44 TO -54	0.5	F
117VAC	0.5	H
235VAC	0.5	K
MANUAL **		M

PART NO. SELECTION

!! OPTION	CODE
METRIC THREAD	M

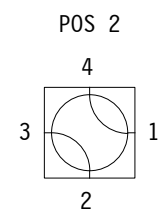
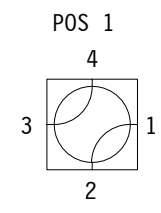
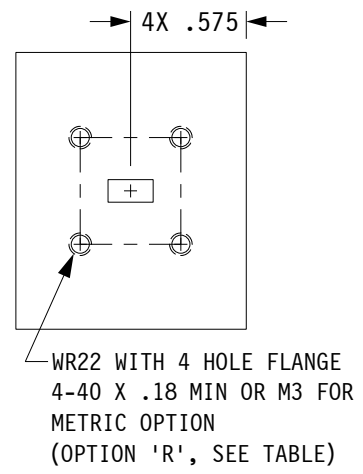
CODE	FLANGE
P	PLAIN (ROUND) UG-383/U
R	SQUARE UG-599/U OR UBR 320

PART NO. SERIES	22	SPDT ##	1
	CODE		!! OPTION CODE

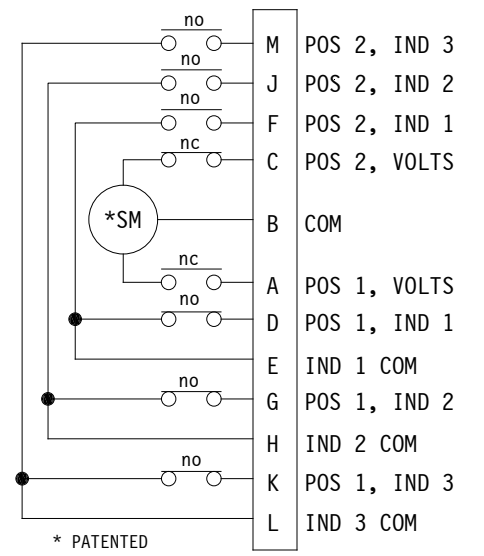
PART NO. EX.: 22AP3
 WR22 LATCHING WG SWITCH, +28VDC,
 PLAIN ROUND FLANGE, CIRCUIT #3.

ELECTRICAL CIRCUIT (INSERT CIRCUIT #) SEE SCHEMATIC PAGE

(THIS SERIES FOR CIRCUIT NO'S 2, 3, 4, 5, 5A, 6, 6A & T)



RF PATHS



* PATENTED
 ELECTRICAL CKT # 3
 Shown in Position 1
 THREE FORM C'S

WEB SITE: www.sectormicrowave.com

ZONE	LTR	DESCRIPTION	APV	DATE
	C	ADDED 'R' FLANGE OPTION	TN	10/10/19
	B	ADDED NOTE 4, DELETED FAILSAFE OPTION	TN	12/15/09
	A	RELEASED.	TN	7/25/06
REVISIONS				

TOLERANCES:
 DECIMALS
 2 PLACES: +/- .03
 3 PLACES: +/- .010
 FRACTIONS: +/- 1/32
 ANGLES: +/- 1/2 deg.

DRAWN	AC	7/25/06
CHECKED		
APVD	RR	7/25/06
APVD		

SECTOR MICROWAVE IND., INC.

WR22 WG SWITCH, LARGE CKT SERIES

SIZE	L	CAGE CODE	53263	WR22 LRG CKT SERIES	C
SCALE:	NONE	UNIT WT.		SHEET	1 OF 1
					REV.