

SPECIFICATIONS;
 FREQ RANGE (GHz) — 33.0 - 50.0
 VSWR — 1.15 : 1 MAX
 INSERTION LOSS — 0.20 dB MAX
 ISOLATION — 50 dB MIN
 SWITCHING TIME — 50 mSec TYP
 PRESSURE — TO 30 PSIG (RF HEAD)
 FINISH — CHEM FILM ON FLANGES, SATIN BLACK ENAMEL ON BODY.

NOTES:
 1. ** MANUAL SWITCH DOES NOT INCLUDE CONNECTOR.
 2. BLUE BOXES ARE REQUIRED FIELDS.
 3. !! IF OPTION IS NOT REQUIRED, LEAVE (GOLD BOX) BLANK
 4. ## SINGLE POLE DOUBLE THROW (SPDT) OPTION ADDS A SHORTING PLATE ON PORT 4.

VOLTAGE	AMPS	CODE
+22 TO +32	0.9	A
-22 TO -32	0.9	B
+10 TO +14	1.5	C
-10 TO -14	1.5	D
+44 TO +54	0.5	E
-44 TO -54	0.5	F
117VAC	0.5	H
MANUAL **	-	M

PART NO. SELECTION

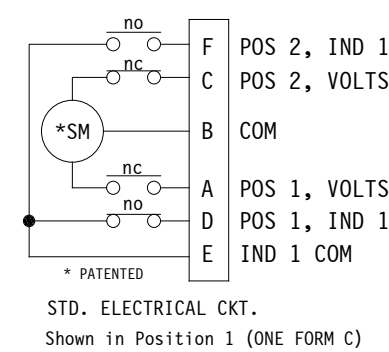
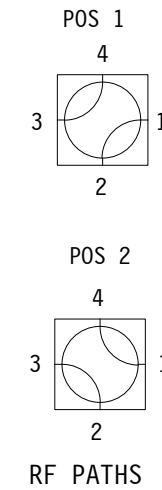
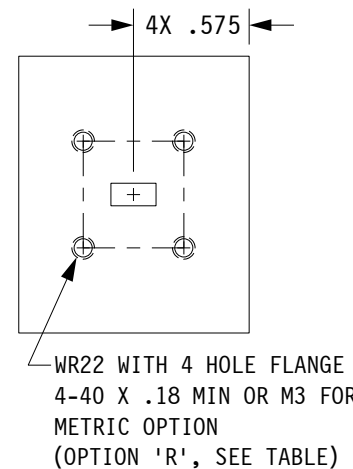
CODE	FLANGE
P	PLAIN (ROUND) UG-383/U
R	SQUARE UG-599/U OR UBR 320

!! OPTION	CODE
METRIC THD	M

22				
PART NO.	22			
SERIES	CODE	SPDT ##	1	
		!! OPTION	CODE	

PART NO. EX.: 22APM

WR22 LATCHING WG SWITCH, +28VDC, PLAIN ROUND FLANGE, METRIC FLANGE & MTG HOLES



ZONE	LTR	DESCRIPTION	APV	DATE
	D	ADDED 'R' FLANGE OPTION.	TN	10/14/19
	C	ADDED METRIC HOLE OPTION.	TN	1/5/16
	B	REMOVED FAILSAFE OPTION	TN	2/11/08
	A	ADDED NOTE 1 & CALLOUTS. CLARIFIED FLANGE INFO.	AC	11/3/98
		REVISIONS		

TOLERANCES:
 DECIMALS
 2 PLACES: +/- .03
 3 PLACES: +/- .010
 FRACTIONS: +/- 1/32
 ANGLES: +/- 1/2 deg.

DRAWN	AC	10/13/97
CHECKED		
APVD	JP	10/13/97
APVD		

WEB SITE: www.sectormicrowave.com

SECTOR MICROWAVE IND., INC.

WR22 WG SWITCH, LIGHTWEIGHT SERIES

SIZE	L	MFG CODE	53263	WR22 SERIES	D
SCALE: NONE	UNIT WT.	SHEET	1 OF 1	REV.	