

**SPECIFICATIONS;**  
 FREQ RANGE (GHz) — 33.0 - 50.0  
 VSWR — 1.15:1 MAX  
 INSERTION LOSS — 0.20 dB MAX  
 ISOLATION — 50 dB MIN  
 SWITCHING TIME — 50 mSec, TYP  
 PRESSURE — TO 30 PSIG (RF HEAD)  
 FINISH — CHEM FILM ON FLANGES, SATIN BLACK FINISH ON BODY.

**NOTES:**  
 1. \*\* MANUAL SWITCH DOES NOT INCLUDE RECEPTACLE.  
 2. BLUE BOXES ARE REQUIRED FIELDS.  
 3. !! IF OPTION IS NOT REQUIRED, LEAVE (GOLD BOX) BLANK  
 4. ## SINGLE POLE DOUBLE THROW (SPDT) OPTION ADDS A SHORTING PLATE ON PORT 4.

VOLTAGE	AMPS	CODE
+22 TO +32	0.9	A
-22 TO -32	0.9	B
+10 TO +14	1.5	C
-10 TO -14	1.5	D
+44 TO +54	0.5	E
-44 TO -54	0.5	F
117VAC	0.5	H
235VAC	0.5	K
MANUAL **		M

**PART NUMBER SELECTION**

!! OPTION	CODE
METRIC THREAD	M

CODE	FLANGE
P	PLAIN (ROUND) UG-383/U
R	SQUARE UG-599/U OR UBR 320

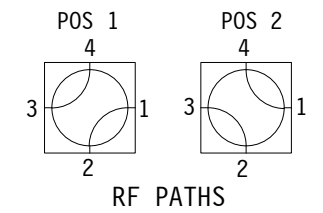
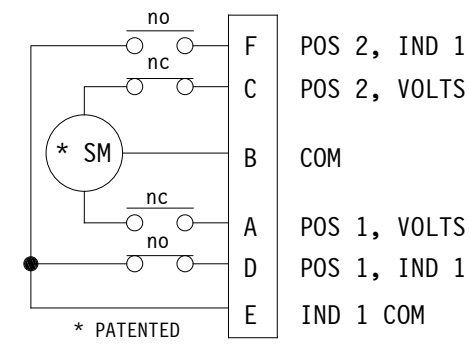
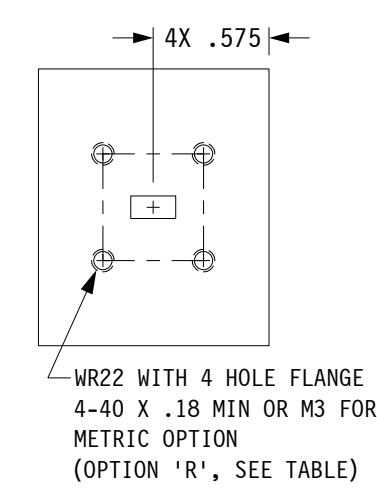
CODE	ENVIRONMENTAL
W	SHELTERED

PART NO. SERIES	22	SPDT ##	1
	CODE		!! OPTION CODE

SEE NOTE 4

**!! ELECTRICAL CIRCUIT (IF OTHER THAN STD.) SEE SCHEMATIC PAGE**

PART NO. EX.: 22-APW  
 WR22 LATCHING WG SWITCH, +28VDC,  
 PLAIN ROUND FLANGE, SHELTERED.



WEB SITE: [www.sectormicrowave.com](http://www.sectormicrowave.com)

ZONE	LTR	DESCRIPTION	APV	DATE
	C	ADDED 'R' FLANGE OPT. & CHANGED FROM SEALED CAN TO SEALED CAP.	TN	10/11/19
	B	ADDED NOTE 4 AND ALL CKTS.	TN	12/11/09
	A	RELEASED.	TN	7/25/06
<b>REVISIONS</b>				

**TOLERANCES:**  
 DECIMALS  
 2 PLACES: +/- .03  
 3 PLACES: +/- .010  
 FRACTIONS: +/- 1/32  
 ANGLES: +/- 1/2 deg.

DRAWN	AC	7/25/06
CHECKED		
APVD	RR	7/25/06
APVD		

**SECTOR MICROWAVE IND., INC.**

**WR22 WG SWITCH, SHELTERED SERIES, ALL CKTS**

SIZE <b>L</b>	CAGE CODE <b>53263</b>	22-xxW SERIES	C
SCALE: NONE	UNIT WT.	SHEET 1 OF 1	REV.