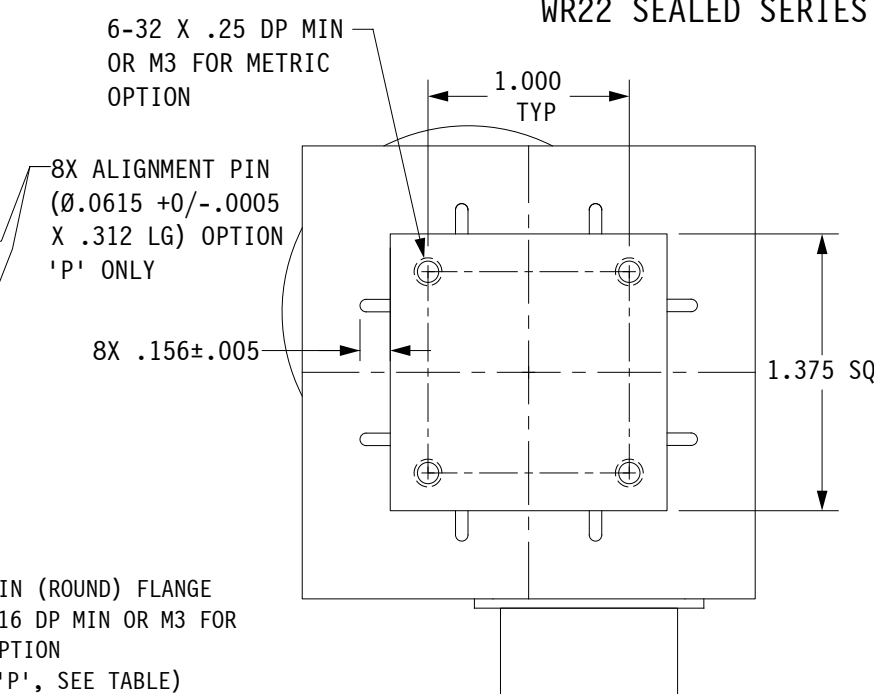
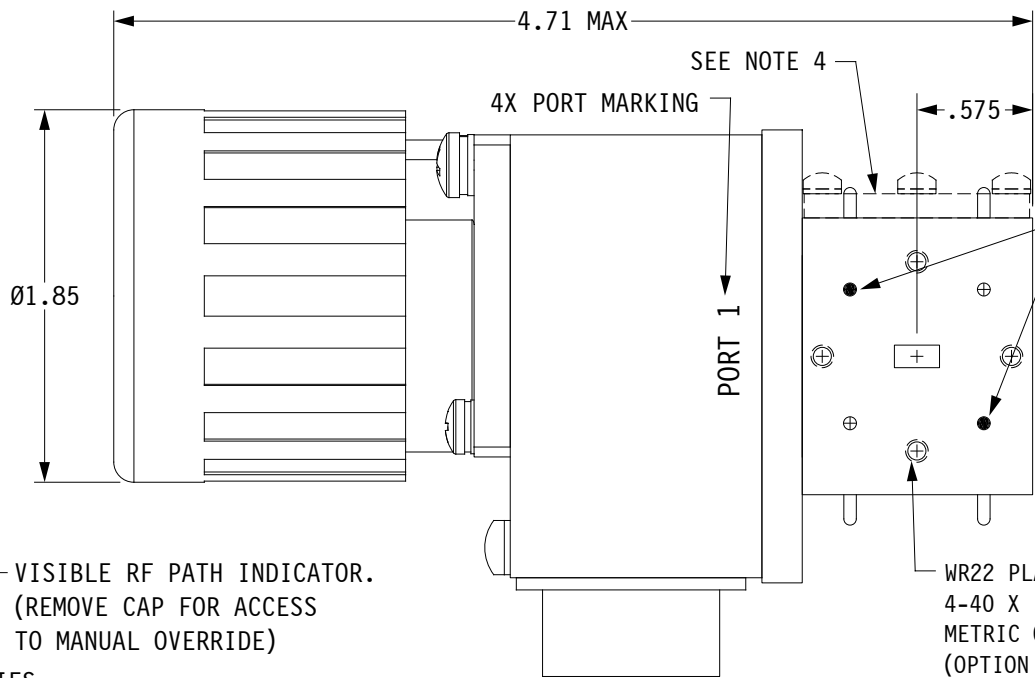
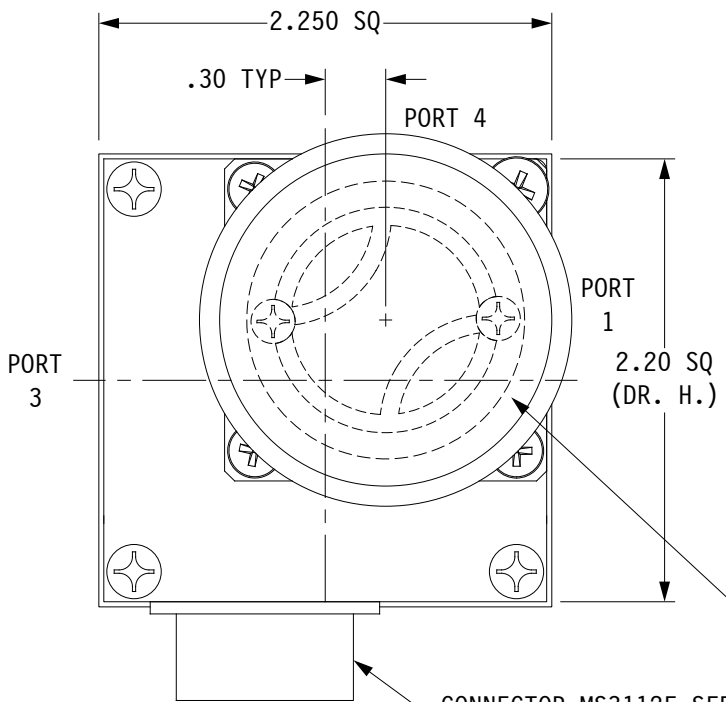


**WR22 SEALED SERIES**



**SPECIFICATIONS;**  
 FREQ RANGE (GHz) — 33.0 - 50.0  
 VSWR — 1.15:1 MAX  
 INSERTION LOSS — 0.20 dB MAX  
 ISOLATION — 50 dB MIN  
 SWITCHING TIME — 50 mSec TYP  
 PRESSURE — TO 30 PSIG (RF HEAD)  
 FINISH — CHEM FILM ON FLANGES, SATIN BLACK FINISH ON BODY.

**NOTES:**  
 1. \*\* MANUAL SWITCH DOES NOT INCLUDE RECEPTACLE.  
 2. BLUE BOXES ARE REQUIRED FIELDS.  
 3. !! IF OPTION IS NOT REQUIRED, LEAVE (GOLD BOX) BLANK  
 4. ## SINGLE POLE DOUBLE THROW (SPDT) OPTION ADDS A SHORTING PLATE ON PORT 4.

VOLTAGE	AMPS	CODE
+22 TO +32	0.9	A
-22 TO -32	0.9	B
+10 TO +14	1.5	C
-10 TO -14	1.5	D
+44 TO +54	0.5	E
-44 TO -54	0.5	F
117VAC	0.5	H
235VAC	0.5	K
MANUAL **	-	M

**PART NUMBER SELECTION**

!! OPTION	CODE
METRIC THREAD	M

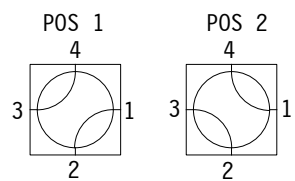
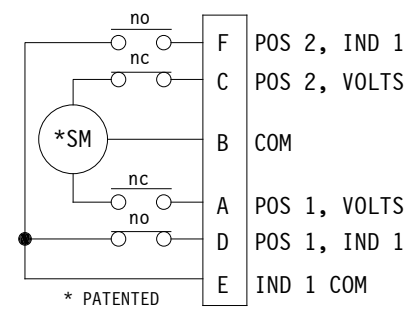
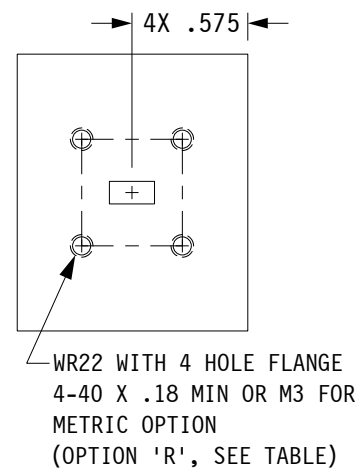
CODE	FLANGE
P	PLAIN (ROUND) UG-383/U
R	SQUARE UG-599/U OR UBR 320

CODE	ENVIRONMENTAL
S	SEALED

PART NO. SERIES	22	SPDT ##	1
	CODE		!! OPTION CODE

**!! ELECTRICAL CIRCUIT (IF OTHER THAN STD.) SEE SCHEMATIC PAGE**

PART NO. EX.: 22AP1S6A



ZONE	LTR	DESCRIPTION	APV	DATE
	E	ADDED 'R' FLANGE OPTION & DELETED FAILSAFE OPTION.	TN	10/11/19
	D	REPLACED SEALED CAN WITH SEALED CAP. DELETED SS OPTION.	TN	10/8/18
	C	ADDED METRIC OPTION FOR FLANGE MTG.	TN	1/5/16
	B	ADDED NOTE 4	TN	12/15/09
	A	RELEASED.	TN	7/25/06
		<b>REVISIONS</b>		

WR22 LATCHING WG SW., +28VDC, PLAIN ROUND FLANGE SPDT (COVER PLATE ON PORT 4), SEALED, #6A CIRCUIT

**TOLERANCES:**  
 DECIMALS  
 2 PLACES: ± .03  
 3 PLACES: ± .010  
 FRACTIONS: ± 1/32  
 ANGLES: ± 1/2 deg.

DRAWN	AC	7/25/06
CHECKED		
APVD	RR	7/25/06
APVD		

WEB SITE: [www.sectormicrowave.com](http://www.sectormicrowave.com)

**SECTOR MICROWAVE IND., INC.**

WR22 WG SWITCH, SEALED SERIES			
SIZE	L	CAGE CODE	53263
SCALE: NONE	UNIT WT.	SHEET	1 OF 1
WR22 SEALED SERIES			E
			REV.