

WR90 SEALED SER.

**SPECIFICATIONS:**

- FREQ RANGE — 8.20 TO 12.40 GHz
- VSWR — 1.05 : 1 MAX
- INSERTION LOSS — 0.05 dB MAX
- ISOLATION — 60 dB MIN
- SWITCHING TIME — 50 mSEC, TYP
- PRESSURE — TO 30 PSIG (RF HEAD)
- FINISH — CHEM FILM ON FLANGES, SATIN BLACK FINISH ON REST OF BODY.

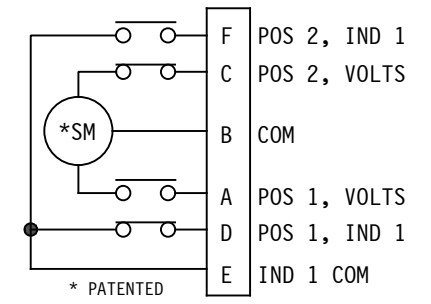
| VOLTAGE    | AMPS | CODE |
|------------|------|------|
| +22 TO +32 | 0.9  | A    |
| -22 TO -32 | 0.9  | B    |
| +10 TO +14 | 1.5  | C    |
| -10 TO -14 | 1.5  | D    |
| +44 TO +54 | 0.5  | E    |
| -44 TO -54 | 0.5  | F    |
| 117VAC     | 0.5  | H    |
| 235VAC     | 0.5  | K    |
| MANUAL **  |      | M    |

**PART NO. SELECTION**

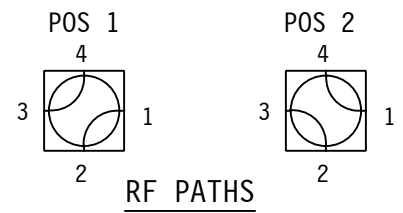
| CODE | FLANGE | CODE | !! OPTION     |
|------|--------|------|---------------|
| P    | PLAIN  | M    | METRIC THREAD |
| C    | CHOKE  |      |               |
| O    | O-RING |      |               |
| F    | CPRF   |      |               |
| G    | CPRG   |      |               |

| CODE | ENVIRONMENTAL |
|------|---------------|
| S    | SEALED        |



STD. ELECT. CKT.  
Shown in Pos. 1  
ONE FORM C



**NOTES:**

1. \*\* MANUAL SWITCH DOES NOT INCLUDE RECEPTACLE.
2. BLUE BOXES ARE REQUIRED FIELDS.
3. !! IF OPTION IS NOT REQUIRED, LEAVE (GOLD BOX) BLANK
4. ## SINGLE POLE DOUBLE THROW (SPDT) OPTION ADDS A SHORTING PLATE ON PORT 4.

|          |        |         |           |      |   |
|----------|--------|---------|-----------|------|---|
| X        | X      | X       | X         | X    | X   |
| PART NO. | SERIES | SPDT ## | !! OPTION | CODE | !! ELECTRICAL CIRCUIT (IF OTHER THAN STD.) SEE SCHEMATIC PAGE |

PART NO. EX.: XAPS2  
WR90 WG SWITCH, +28VDC, PLAIN FLANGE, SEALED, CKT #2

WEB SITE: [www.sectormicrowave.com](http://www.sectormicrowave.com)

| ZONE             | LTR | DESCRIPTION   | APV | DATE     |
|------------------|-----|---|-----|----------|
|                  | D   | DELETED FAILSAFE OPTION. (SEE WR90 STD SERIES)            | TN  | 2/8/19   |
|                  | C   | REPLACED SEALED COVER WITH SEALED CAP. DELETED SS OPTION. | RR  | 8/3/18   |
|                  | B   | ADDED NOTE 4  | TN  | 12/17/09 |
|                  | A   | RELEASED.   | TN  | 12/9/03  |
| <b>REVISIONS</b> |     |   |     |          |

TOLERANCES:  
DECIMALS  
2 PLACES: +/- .03  
3 PLACES: +/- .010  
FRACTIONS: +/- 1/32  
ANGLES: +/- 1/2 deg.

|         |      |         |
|---------|------|---------|
| DRAWN   | A.C. | 12/9/03 |
| CHECKED |      |         |
| APVD    | T.N. | 12/9/03 |
| APVD    |      |         |

**SECTOR MICROWAVE IND., INC.**

WR90 W/G SWITCH SEALED SERIES

|               |                        |                         |          |
|---------------|------------------------|-------------------------|----------|
| SIZE <b>L</b> | CAGE CODE <b>53263</b> | <b>WR90 SEALED SER.</b> | <b>D</b> |
| SCALE: NONE   | UNIT WT.               | SHEET 1 OF 1            | REV.     |