

SPECIFICATIONS:

FREQ RANGE (GHz)	10.0 TO 15.0
VSWR (MAX)	1.08 : 1
INS. LOSS (MAX)	0.05 dB
ISOLATION (MIN)	70 dB
SWITCHING TIME	75 mSEC, TYP @ 28 VDC
PRESSURE	TO 15 PSIG (RF HEAD ONLY)
FINISH	CHEM FILM ON FLANGES, SATIN BLACK FINISH ON REST OF BODY.

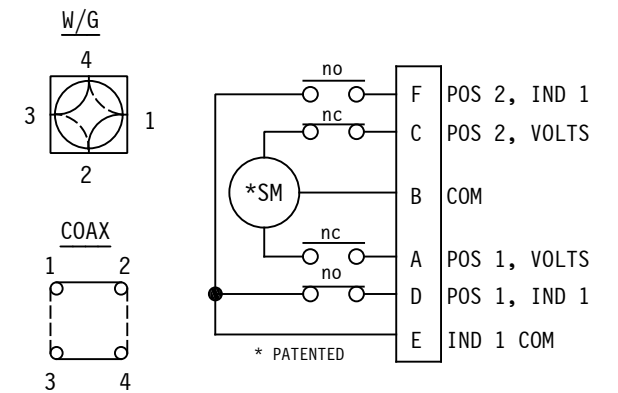
W/G		COAX SPECIFICATIONS:					
0-1	1-2	2-6.5	6.5-11	11-15	15-18		
1.10	1.15	1.25	1.30	1.35	1.50		
0.05	0.10	0.25	0.30	0.35	0.5		
80	70	60	60	50	50		

VOLTAGE	AMPS	CODE
+22 TO +32	0.9	A
-22 TO -32	0.9	B
+10 TO +14	1.5	C
-10 TO -14	1.5	D
+44 TO +54	0.5	E
-44 TO -54	0.5	F
117VAC	1.2	H
235VAC	0.5	K
MANUAL **		M

PART NO. SELECTION

CODE	FLANGE	CODE	!! OPTION
P	PLAIN	M	METRIC THREAD
C	CHOKE		(USED IN A SHELTERED ENVIRONMENT)
O	O-RING	CODE	ENVIRONMENTAL
F	CPRF	W	SHELTERED
G	CPRG		

!! ELECTRICAL CIRCUIT (IF OTHER THAN STD.) SEE SCHEMATIC PAGE



- NOTES:
- \*\* MANUAL SWITCH DOES NOT INCLUDE RECEPTACLE.
  - BLUE BOXES ARE REQUIRED FIELDS.
  - !! IF OPTION IS NOT REQUIRED, LEAVE (GOLD BOX) BLANK

PART NO. SERIES	75S	SPDT	1
CODE		!! OPTION	

PART NO. EX.: 75SAPMW2  
 WR75 WG/SMA DUAL SWITCH, +28VDC, PLAIN FLANGE, METRIC THDS., SHELTERED, CKT #2. WEB SITE: www.sectormicrowave.com

ZONE	LTR	DESCRIPTION	APV	DATE
	B	REPLACED SEALED COVER WITH SEALED CAP.	TN	10/8/19
	A	RELEASED.	TN	12/9/03
<b>REVISIONS</b>				

TOLERANCES:	DRAWN	A.C.	12/9/03
DECIMALS	CHECKED		
2 PLACES: +/- .03	APVD	T.N.	12/9/03
3 PLACES: +/- .010	APVD		
FRACTIONS: +/- 1/64			
ANGLES: +/- 1/2 deg.			

**SECTOR MICROWAVE IND., INC.**

WR75 WG/SMA DUAL SHELTERED SWITCH SERIES

SIZE	L	CAGE CODE	53263	75Sxx SHELTERED SER.	B
SCALE:	NONE	UNIT WT.		SHEET	1 OF 1
					REV.