

SPECIFICATIONS:

	W/G	COAX SPECIFICATIONS;					
FREQ RANGE (GHz)	10.0 TO 15.0	0-1	1-2	2-6.5	6.5-11	11-15	15-18
VSWR (MAX)	1.08 : 1	1.10	1.15	1.25	1.30	1.35	1.50
INS. LOSS (MAX)	0.05 dB	0.05	0.10	0.25	0.30	0.35	0.5
ISOLATION (MIN)	70 dB	80	70	60	60	50	50
SWITCHING TIME	75 mSEC, TYP @ 28 VDC						
PRESSURE	TO 15 PSIG (RF HEAD ONLY)						
FINISH	CHEM FILM ON FLANGES, SATIN BLACK FINISH ON REST OF BODY.						

- NOTES:**
- ** MANUAL SWITCH DOES NOT INCLUDE RECEPTACLE.
 - BLUE BOXES ARE REQUIRED FIELDS.
 - !! IF OPTION IS NOT REQUIRED, LEAVE (GOLD BOX) BLANK
 - ## SINGLE POLE DOUBLE THROW (SPDT) OPTION ADDS A SHORTING PLATE ON PORT 4.

VOLTAGE	AMPS	CODE
+22 TO +32	0.9	A
-22 TO -32	0.9	B
+10 TO +14	1.5	C
-10 TO -14	1.5	D
+44 TO +54	0.5	E
-44 TO -54	0.5	F
117VAC	1.2	H
235VAC	0.5	K
MANUAL **		M

PART NO. SELECTION

CODE	FLANGE
P	PLAIN
C	CHOKE
O	O-RING
F	CPRF
G	CPRG

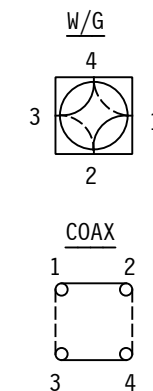
CODE	!! OPTION
M	METRIC THREAD

CODE	ENVIRONMENTAL
S	SEALED WITH REMOVABLE CAP

PART NO. SERIES	75S	## SPDT	1
	CODE		!! OPTION CODE

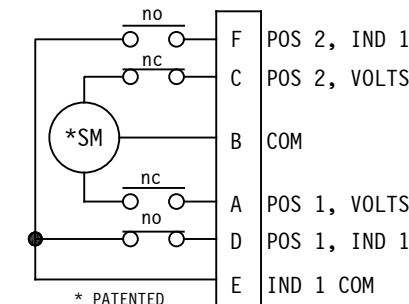
PART NO. EX.: 75SAPMS2
WR75 WG/SMA DUAL SWITCH, +28VDC, PLAIN FLANGE, METRIC THDS., SEALED, CKT #2

WEB SITE: www.sectormicrowave.com



— POS 1
- - - POS 2

RF PATHS



STD. ELECTRICAL CKT.
(Conn.: MS3112E10-6P)

Shown in Position 1
ONE FORM C

ZONE	LTR	DESCRIPTION	APV	DATE
	C	ADDED PORT COVER TO VIEWS. ADDED NOTE 4.	TN	11/26/19
	B	REPLACED SEALED COVER WITH SEALED CAP. DELETED SS OPTION.	TN	7/23/18
	A	RELEASED.	TN	12/9/03
REVISIONS				

TOLERANCES:
DECIMALS
2 PLACES: +/- .03
3 PLACES: +/- .010
FRACTIONS: +/- 1/64
ANGLES: +/- 1/2 deg.

DRAWN	A.C.	12/9/03
CHECKED		
APVD	T.N.	12/9/03
APVD		

SECTOR MICROWAVE IND., INC.

WR75 WG/SMA DUAL SEALED SWITCH SERIES

SIZE	L	CAGE CODE	53263	75Sxx SEALED DUAL SER.	C
SCALE:	NONE	UNIT WT.		SHEET 1 OF 1	REV.