

MANUAL OVERRIDE KNOB & VISIBLE RF PATH INDICATOR. (STYLE OF KNOB AND INDICATOR MAY VARY)

WR42 FLANGE TYPE (SEE P/N SELECTION) 4-40 X .25 DP OR M3 THD FOR METRIC UNITS

CONNECTOR MS3112E SERIES OR EQUIV. (SIZE DEPENDENT ON CKT)

VOLTAGE	AMPS	CODE
+22 TO +32	0.9	A
-22 TO -32	0.9	B
+10 TO +14	1.5	C
-10 TO -14	1.5	D
+44 TO +54	0.5	E
-44 TO -54	0.5	F
117VAC	0.5	H
235VAC	0.5	K
MANUAL **		M

PART NO. SELECTION

CODE	FLANGE
P	PLAIN
C	CHOKE
O	O-RING
R	ROUND

CODE	ENVIRONMENTAL
W	SHELTERED

!! OPTION	CODE
METRIC THD	M

FOR OTHER ELECT. CKT'S SEE SCHEMATIC PAGE.

PART NO. SERIES	K-						
	CODE						
		SPDT ##	1				
		!! OPTION	CODE				

PART NO. EX.: K-APW SEE NOTE 4
WR42 LATCHING WG SWITCH, +28VDC, PLAIN FLANGE, SHELTERED.

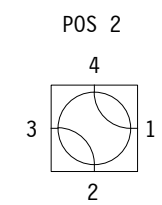
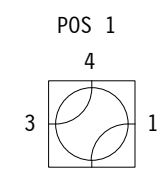
!! ELECTRICAL CIRCUIT (IF OTHER THAN STD.)

NUMBER NOT REQ'D FOR STANDARD CIRCUIT.

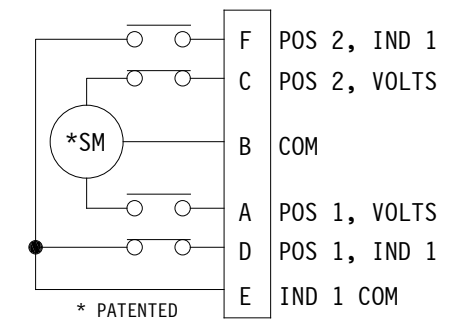
WEB SITE: www.sectormicrowave.com

- SPECIFICATIONS;**
- FREQ RANGE (GHz) — 18.0 TO 26.5
 - VSWR — 1.10 : 1 MAX
 - INSERTION LOSS — 0.10 dB, MAX
 - ISOLATION — 60 dB, MIN
 - SWITCHING TIME — 50 mSec, TYP
 - PRESSURE — TO 30 PSIG (RF HEAD)
 - FINISH — CHEM FILM ON FLANGES, SATIN BLACK FINISH ON BODY.

- NOTES:**
- ** MANUAL SWITCH DOES NOT INCLUDE RECEPTACLE.
 - BLUE BOXES ARE REQUIRED FIELDS.
 - !! IF OPTION IS NOT REQUIRED, LEAVE (GOLD BOX) BLANK
 - ## SINGLE POLE DOUBLE THROW (SPDT) OPTION ADDS A SHORTING PLATE ON PORT 4.



RF PATHS



STD. ELECT. CKT.

Shown in Pos. 1 ONE FORM C

ZONE	LTR	DESCRIPTION	APV	DATE
	C	REPLACED SEALED COVER CAN WITH SEALED CAP.	TN	11/21/19
	B	ADDED ALL CIRCUITS & NOTE 4	TN	12/10/09
	A	RELEASED.	TN	1/14/08
REVISIONS				

TOLERANCES:
DECIMALS
2 PLACES: +/- .03
3 PLACES: +/- .010
FRACTIONS: +/- 1/32
ANGLES: +/- 1/2 deg.

DRAWN	AC	1/14/08
CHECKED		
APVD	TN	1/14/08
APVD		

SECTOR MICROWAVE IND., INC.

WR42 WG SW., SHELTERED SERIES

SIZE L	CAGE CODE 53263	K-XXW SERIES	C
SCALE: NONE	UNIT WT.	SHEET 1 OF 1	REV.