

SPECIFICATIONS;
 FREQ RANGE (GHz) — 22.0 - 33.0
 VSWR — 1.10 : 1 MAX
 INSERTION LOSS — 0.15 db, MAX
 ISOLATION — 55 db, MIN
 SWITCHING TIME — 50 mSec, TYP
 PRESSURE — TO 30 PSIG (R-F HEAD)
 FINISH — IRIDITE ON FLANGES, SATIN BLACK ENAMEL ON BODY.

NOTES:
 1. ** MANUAL SWITCH DOES NOT INCLUDE RECEPTACLE.
 2. BLUE BOXES ARE REQUIRED FIELDS.
 3. !! IF OPTION IS NOT REQUIRED, LEAVE (GOLD BOX) BLANK
 4. ## SINGLE POLE DOUBLE THROW (SPDT) OPTION ADDS A SHORTING PLATE ON PORT 4.

VOLTAGE	AMPS	CODE
+22 TO +32	0.9	A
-22 TO -32	0.9	B
+10 TO +14	1.5	C
-10 TO -14	1.5	D
+44 TO +54	0.5	E
-44 TO -54	0.5	F
117VAC	0.5	H
235VAC	0.5	K
MANUAL **		M

PART NO. SELECTION

CODE	FLANGE
P	PLAIN
O	O-RING

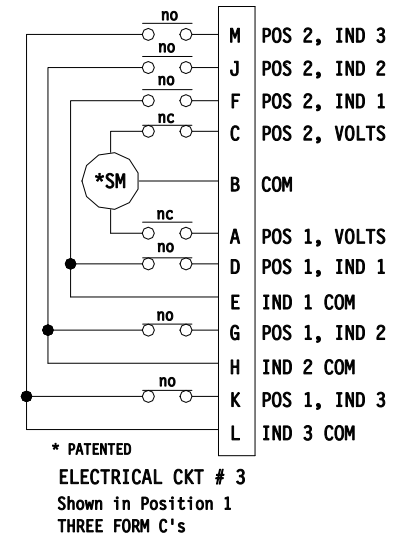
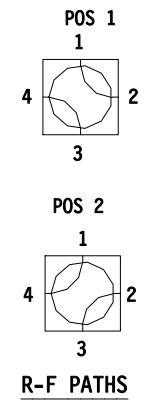
CODE	!! OPTION
M	METRIC THREAD

(THIS SERIES FOR CIRCUIT NO's 2, 3, 4, 5, 5A, 6, 6A & 7)

34			
PART NO. SERIES	34	SPDT ##	1
	CODE	!! OPTION	CODE

PART NO. EX.: 34AP3

WR34 LATCHING WG SWITCH, +28VDC, PLAIN COVER FLANGE, CIRCUIT #3.



ELECTRICAL CIRCUIT (INSERT CIRCUIT #) SEE SCHEMATIC PAGE

WEB SITE: www.sectormicrowave.com

ZONE	LTR	DESCRIPTION	APV	DATE
	B	ADDED NOTE 4	TN	12/14/09
	A	RELEASED.	TN	7/25/06
REVISIONS				

TOLERANCES: DECIMALS	DRAWN	AC	7/25/06
2 PLACES: +/- .03	CHECKED		
3 PLACES: +/- .010	APVD	RR	7/25/06
FRACTIONS: +/- 1/32	APVD		
ANGLES: +/- 1/2 deg.			

SECTOR MICROWAVE IND., INC.

WR34 WG SW. : LARGE CKT SERIES			
SIZE L	CAGE CODE 53263	WR34 LRG CKT SER.	B
SCALE: NONE	UNIT WT.	SHEET 1 OF 1	REV.