

SEE NOTE 4

**SPECIFICATIONS;**  
 FREQ RANGE (GHz) — 26.5 - 40.0  
 VSWR — 1.15 : 1 MAX, 1.10 : 1 TYP  
 INSERTION LOSS — 0.15 dB MAX  
 ISOLATION — 55 dB MIN  
 SWITCHING TIME — 50 mSec TYP  
 PRESSURE — TO 30 PSIG (RF HEAD)  
 FINISH — CHEM FILM ON FLANGES, SATIN BLACK FINISH ON BODY.

**NOTES:**  
 1. \*\* MANUAL SWITCH DOES NOT INCLUDE RECEPTACLE.  
 2. BLUE BOXES ARE REQUIRED FIELDS.  
 3. !! IF OPTION IS NOT REQUIRED, LEAVE (GOLD BOX) BLANK  
 4. ## SINGLE POLE DOUBLE THROW (SPDT) OPTION ADDS A SHORTING PLATE ON PORT 4.

VOLTAGE	AMPS	CODE
+22 TO +32	0.9	A
-22 TO -32	0.9	B
+10 TO +14	1.5	C
-10 TO -14	1.5	D
+44 TO +54	0.5	E
-44 TO -54	0.5	F
117VAC	0.5	H
235VAC	0.5	K
MANUAL **		M

**PART NO. SELECTION**

CODE	FLANGE
P	PLAIN
C	CHOKE
O	O-RING
R	ROUND

!! OPTION	CODE
METRIC THD	M

(USED IN A SHELTERED ENVIRONMENT)

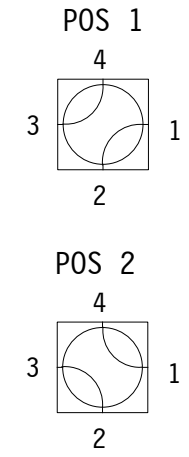
CODE	ENVIRONMENTAL
W	SHELTERED

FOR OTHER ELECT CKT'S SEE SCHEMATIC PAGE.

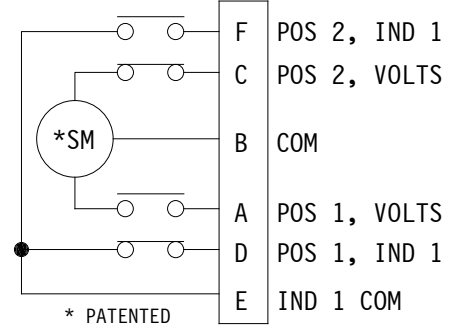
PART NO. SERIES	V-									
	CODE									
		SPDT ##	1							
		!! OPTION								!! ELECTRICAL CIRCUIT (IF OTHER THAN STD.)

PART NO. EX.: V-APW SEE NOTE 4  
 WR28 LATCHING WG SWITCH, +28VDC, PLAIN FLANGE (SQUARE), SHELTERED.

NUMBER NOT REQ'D FOR STANDARD CIRCUIT.



**RF PATHS**



STD. ELECT. CKT. Shown in Pos. 1 ONE FORM C

WEB SITE: [www.sectormicrowave.com](http://www.sectormicrowave.com)

ZONE	LTR	DESCRIPTION	APV	DATE	TN	DATE	TOLERANCES:	DRAWN	AC	DATE	SECTOR MICROWAVE IND., INC.				
	C	REPLACED SEALED COVER CAN WITH SEALED CAP.			TN	11/13/18	DECIMALS			7/25/06	WR28 WG SW. SHELTERED SERIES				
	B	UPDATED VSWR SPEC			RR	6/24/09	2 PLACES: +/- .03							SIZE L	CAGE CODE
	A	RELEASED.			TN	7/25/06	3 PLACES: +/- .010	APVD	RR	7/25/06	V-XXW SERIES		C		
<b>REVISIONS</b>					FRACTIONS: +/- 1/32			APVD			SCALE: NONE	UNIT WT.	SHEET 1 OF 1	REV.	
					ANGLES: +/- 1/2 deg.										