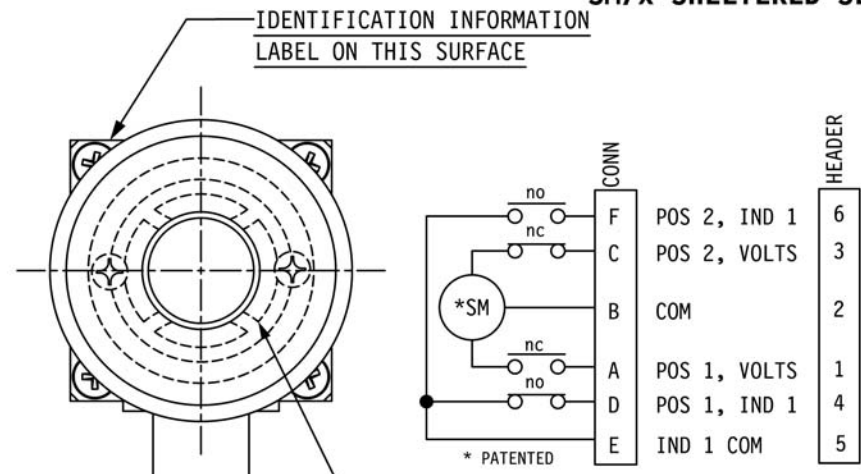
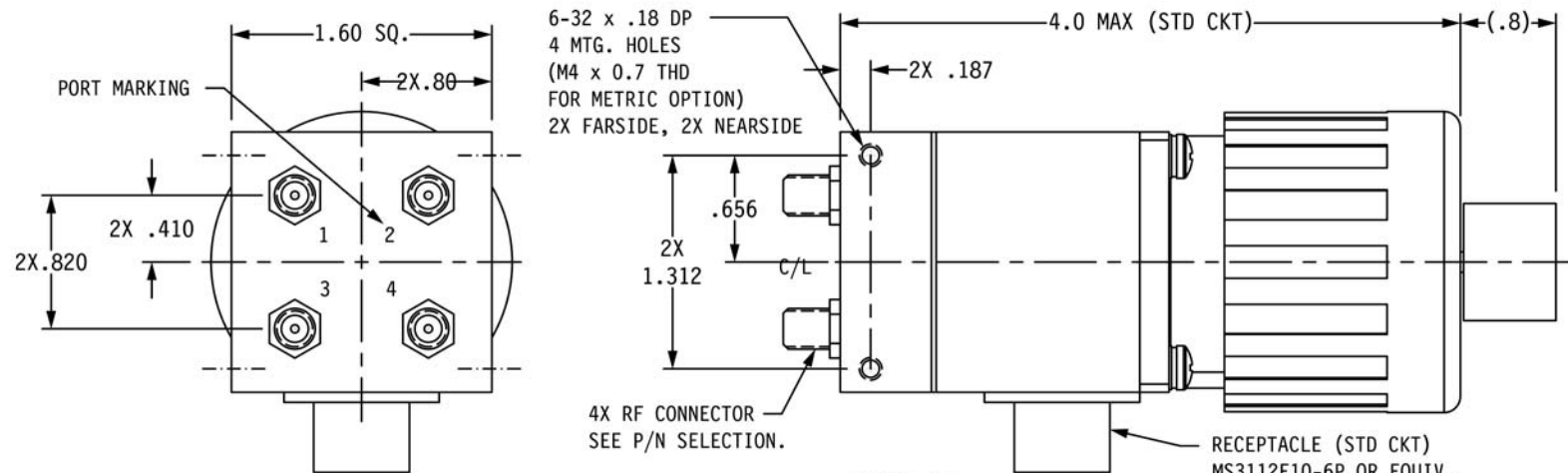


SM7x SHELTERED SERIES



PART NO. SELECTION

VOLTAGE	AMPS	CODE	CODE	FREQ RANGE (GHz)
+22 TO +32	0.9	A	1	0-1
-22 TO -32	0.9	B	2	0-2
+10 TO +14	1.5	C	3	2.1-2.7
-10 TO -14	1.5	D	4	3.7-4.2
+44 TO +54	0.5	E	5	5.9-6.5
-44 TO -54	0.5	F	6	7.2-7.8
117VAC	1.2	H	7	7.9-8.5
235VAC	0.5	K	11	10.9-11.7
MANUAL **		M	12	11.7-12.2
			13	12.2-12.7
			14	14.0-14.5
			15	10.0-15.0
			20	0.0-18.0

RF CONN	CODE
SMA	S-
BNC ##	B-
TNC ##	T-

OPTIONS

CODE	!! OPTION
57	50 OHM BNC/TNC USED @75 OHM
75	75 OHM BNC/TNC

CODE	ENVIRONMENTAL (USED IN A SHELTERED ENVIRONMENT)
W	SHELTERED

CODE	ENVIRONMENTAL (USED IN A SHELTERED ENVIRONMENT)
W	SHELTERED

CODE	ENVIRONMENTAL (USED IN A SHELTERED ENVIRONMENT)
W	SHELTERED

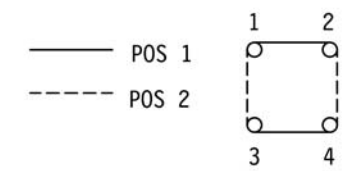
!! ELECTRICAL CIRCUIT (IF OTHER THAN STD. SEE SCHEMATIC PAGES)

NOTES:

1. ## BNC & TNC AVAILABLE FROM 0-2 GHz ONLY.
2. ** MANUAL SWITCH DOES NOT INCLUDE CONNECTOR OR HEADER.
3. BLUE BOXES ARE REQUIRED FIELDS.
4. !! IF OPTION IS NOT REQUIRED, LEAVE (GOLD BOX) BLANK.

MANUAL OVERRIDE KNOB & RF PATH INDICATOR. (STYLE OF KNOB & INDICATOR MAY VARY)

STD. ELECTRICAL CKT. Shown in Position 1 ONE FORM C



RF PATHS

SPECIFICATIONS:

FREQ RANGE (GHz)	0-1	1-2	2-6.5	6.5-11	11-15	15-18
VSWR	1.10	1.15	1.25	1.30	1.35	1.50
INS. LOSS dB MAX	0.05	0.10	0.25	0.30	0.35	0.5
ISOLATION dB MIN	80	70	60	60	50	50

- RF POWER — 50 WATTS MAX
- RF CONTACTS — BREAK-BEFORE-MAKE CONTACTS
- SWITCHING TIME — 50 mSEC NOM
- LIFE — 100,000 OPERATIONS
- DRIVE — LATCHING SECTOR MOTOR
- FINISH — SATIN BLACK FINISH

PART NO. EX.: SM7S-A4CMW2

SMA COAXIAL SW., +28 VDC, FREQ RANGE 3.7 TO 4.2 GHz, CONNECTOR, METRIC THREADS, SHELTERED, ELECT. CKT #2.

WEB SITE: www.sectormicrowave.com

ZONE	LTR	DESCRIPTION	APV	DATE	DRAWN	A.C.	DATE	SECTOR MICROWAVE IND., INC.				
	C	REPLACED SEALED COVER CAN WITH SEALED CAP.	RR	3/25/21			9/2/92	COAX SWITCH, SMA, BNC, TNC SHELTERED SERIES				
	B	CHANGED KNOB FROM LARGE TO SMALL.	RR	4/26/12								
	A	RELEASED.	JP	9/4/92				SIZE L MFG CODE 53263 SM7x SHELTERED SERIES C				
					APVD	J.P.	9/4/92					
REVISIONS					TOLERANCES: DECIMALS 2 PLACES: +/- .03 3 PLACES: +/- .010 FRACTIONS: +/- 1/32 ANGLES: +/- 1/2 deg.			SCALE: NONE		UNIT WT.	SHEET 1 OF 1	REV.