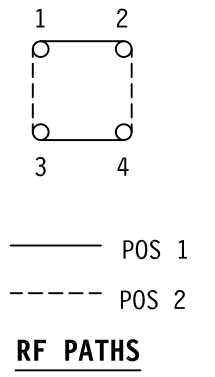
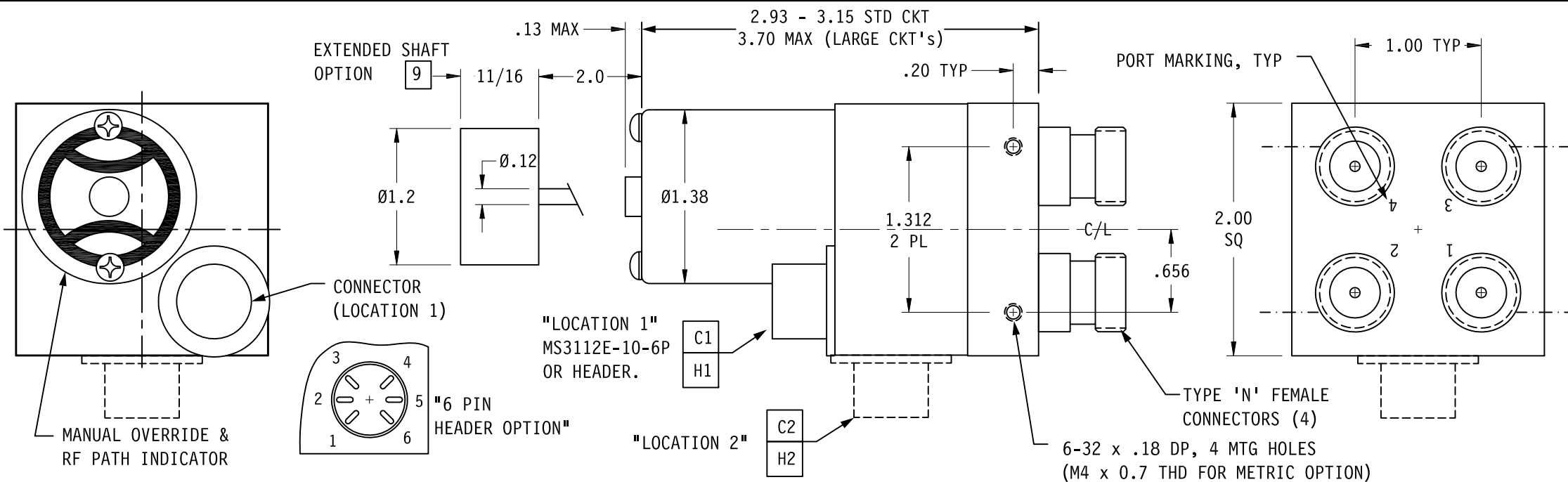


SM7N-x5Bx SERIES



PART NO. SELECTION

VOLTAGE	AMPS	CODE
+22 TO +32	0.9	A
-22 TO -32	0.9	B
+10 TO +14	1.5	C
-10 TO -14	1.5	D
+44 TO +54	0.5	E
-44 TO -54	0.5	F
117VAC	1.2	H
235VAC	0.5	K
MANUAL **		M

CODE	FREQ RANGE
5B	0-6.5 GHz

SM7N-		5B	
PART NO. SERIES	SM7N-CODE	LOCATION 1	CONN. C1
		HEADER	H1
		LOCATION 2	CONN. C2
		HEADER	H2
		RECEPTACLE CHOICE	CODE

OPTIONS

!! ELECTRICAL CIRCUIT (IF OTHER THAN STD. SEE SCHEMATIC PAGE)

CODE	!! OPTION
-9	EXTENDED SHAFT

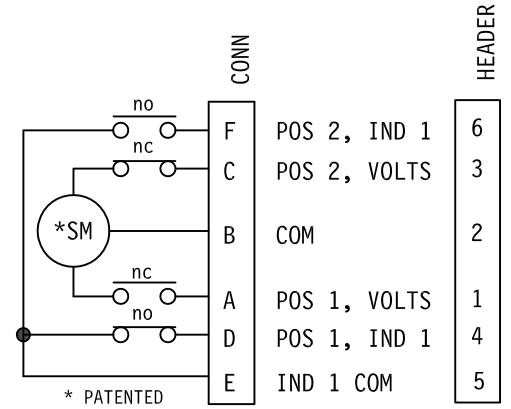
M METRIC THREAD

!! OPTION

NOTE: 'C2' LOCATION MUST BE USED FOR LARGER CIRCUITS.

SPECIFICATIONS

FREQ RANGE (GHz)	0 - 1	1 - 2	2-6.5
VSWR	1.1	1.15	1.25
INS. LOSS dB MAX	0.05	0.10	0.25
ISOLATION dB MIN	80	70	60
RF POWER	100 WATTS, MAX		
RF CONTACTS	BREAK-BEFORE-MAKE CONTACTS.		
LIFE	100,000 OPERATIONS.		
DRIVE	LATCHING, SECTOR MOTOR.		
SWITCHING TIME	50 mSEC, NOM		
MARKING	PORTS NUMBERED AS SHOWN ABOVE.		
FINISH	SATIN BLACK ENAMEL.		



STD. ELECTRICAL CKT.
Shown in Position 1
ONE FORM C

PART NO. EX.: SM7N-C5BH1M-9
TYPE 'N' COAXIAL SW., +12 VDC, FREQ RANGE 0 TO 6.5 GHz, HEADER at H1 LOCATION, METRIC THREADS, EXTENDED SHAFT WITH KNOB.

WEB SITE: www.sectormicrowave.com

ZONE	LTR	DESCRIPTION	APV	DATE
	A	RELEASED	RR	8/31/16
REVISIONS				

TOLERANCES: DECIMALS 2 PLACES: +/- .03 3 PLACES: +/- .010 FRACTIONS: +/- 1/32 ANGLES: +/- 1/2 deg.	DRAWN J TRACY 8/31/16	CHECKED	APVD RR 8/31/16	APVD	SECTOR MICROWAVE IND., INC.
					TYPE 'N' COAXIAL SWITCH, WIDEBAND SERIES
					SIZE L CAGE CODE 53263 SM7N-x5Bx SERIES A
					SCALE: NONE UNIT WT. SHEET 1 OF 1 REV