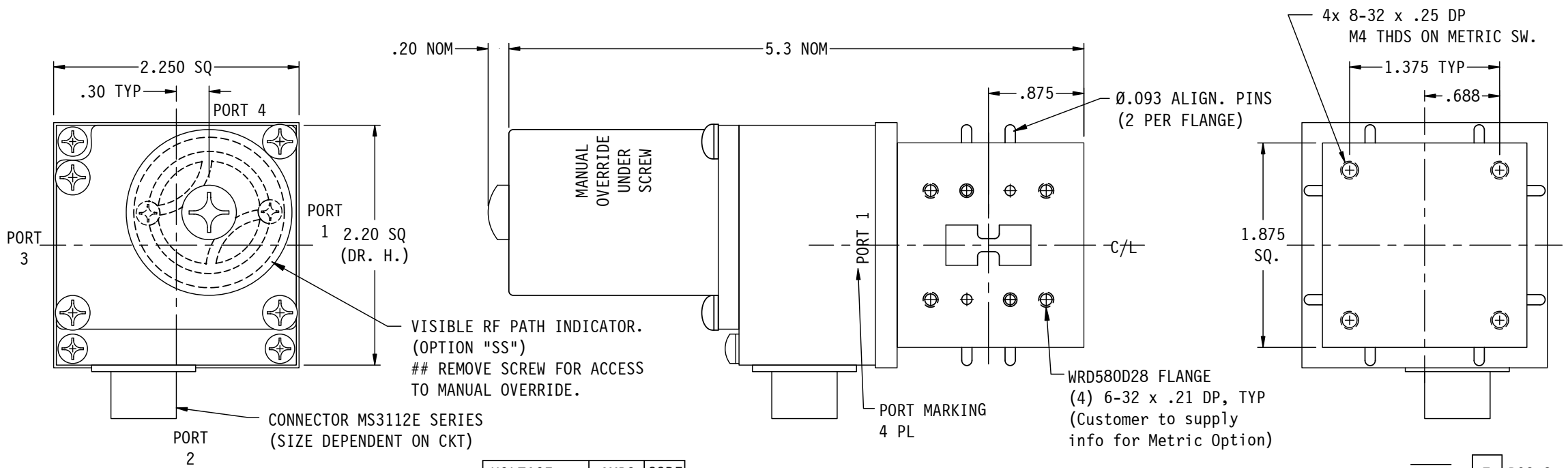


WRD580 SEALED SER.



SPECIFICATIONS:

FREQ. RANGE (GHz)	5.8-6.4	7.9-8.4	14-14.5
VSWR (MAX)	1.1:1	1.1:1	1.1:1
INSERTION LOSS (MAX)	0.2 dB	0.05 dB	0.2 dB
ISOLATION (MIN)	70 dB	70 dB	60 dB
SWITCHING TIME	75 mSEC, TYP		
PRESSURE	TO 30 PSIG (R-F HEAD ONLY)		
R-F POWER	10 KW PEAK		
FINISH	SATIN BLACK FINISH, IRIDITE ON FLANGE FACES		

- NOTES:**
- ** MANUAL SWITCH DOES NOT INCLUDE RECEPTACLE.
 - BLUE BOXES ARE REQUIRED FIELDS.
 - !! IF OPTION IS NOT REQUIRED, LEAVE (GOLD BOX) BLANK

VOLTAGE	AMPS	CODE
+22 TO +32	0.9	A
-22 TO -32	0.9	B
+10 TO +14	1.5	C
-10 TO -14	1.5	D
+44 TO +54	0.5	E
-44 TO -54	0.5	F
117VAC	0.5	H
235VAC	0.5	K
MANUAL **		M

PART NO. SELECTION

CODE	FLANGE
P	PLAIN
G	GROOVED

CODE	!! OPTION
M	METRIC THREAD

CODE	ENVIRONMENTAL
S	SEALED
SS	## SEALED WITH REMOVABLE SCREW

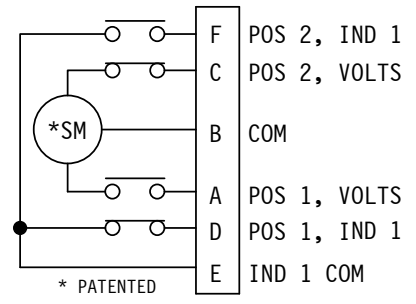
!! OPTION	CODE
SPDT	1

58						
PART NO. SERIES	58					
CODE						
!! OPTION		FAILSAFE	F			
CODE		!! OPTION				

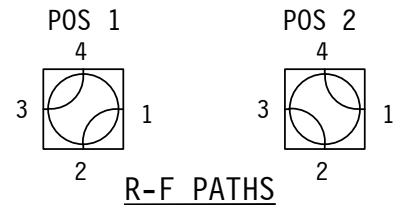
PART NO. EX.: 58APS2
WRD580D28 WG SWITCH, +28VDC, PLAIN FLANGE, SEALED, CKT #2

!! ELECTRICAL CIRCUIT (IF OTHER THAN STD.) SEE SCHEMATIC PAGE

TOP EXTERIOR SCREW CAN BE REMOVED ALLOWING ACCESS TO MANUAL OVERRIDE. No. 1 PHILLIPS SCREWDRIVER REQUIRED.



STD. ELECT. CKT. Shown in Pos. 1 ONE FORM C



WEB SITE: www.sectormicrowave.com

ZONE	LTR	DESCRIPTION	APV	DATE
	A	RELEASED.	TN	12/9/03
REVISIONS				

TOLERANCES: DECIMALS	DRAWN	A.C.	12/9/03
2 PLACES: +/- .03	CHECKED		
3 PLACES: +/- .010	APVD	T.N.	12/9/03
FRACTIONS: +/- 1/64	APVD		
ANGLES: +/- 1/2 deg.			

SECTOR MICROWAVE IND., INC.			
WRD580D28 W/G SWITCH SEALED SERIES			
SIZE L	CAGE CODE	53263	WRD580 SEALED SER.
SCALE: NONE	UNIT WT.	SHEET 1 OF 1	A REV.