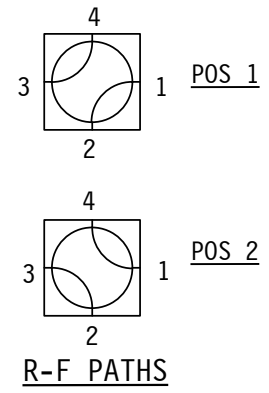


MS3102R-14S-6P (STD CKT)  
(MATING CONN. SUPPLIED)

WR975 CPR FLANGE  
3/8-16 x .56 DP  
HELICOIL INSERTS  
18 PL, TYP EACH FLANGE



VOLTAGE	CODE
+22 TO +32	A
-22 TO -32	B
+10 TO +14	C
-10 TO -14	D
+44 TO +54	E
-44 TO -54	F
117VAC	H
235VAC	K
MANUAL **	M

CODE	FLANGE
F	CPRF
G	CPRG

**PART NUMBER SELECTION**

CODE	!! OPTION
1	SPDT

CODE	!! OPTION
M	METRIC THREAD (THD SIZE TO BE SPECIFIED)

9				
PART NO.	9			
SERIES	CODE			

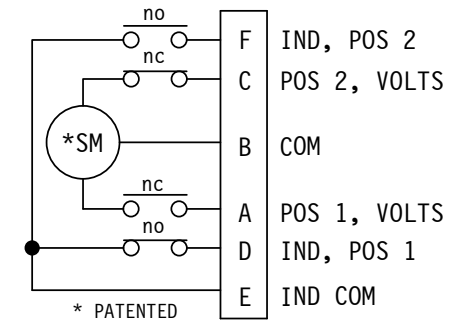
**!! ELECTRICAL CIRCUIT  
(IF OTHER THAN STD.)  
SEE SCHEMATIC PAGE.**

PART NO. EX.: 9BG6A  
WR975 WG SWITCH, -28 VDC,  
CPRG FLANGE, CKT #6A

WEB SITE: [www.sectormicrowave.com](http://www.sectormicrowave.com)

**SPECIFICATIONS:**  
 FREQ RANGE .75 TO 1.12 GHz  
 VSWR 1.05 : 1 MAX  
 ISOLATION 80 dB MIN  
 INSERTION LOSS .01 dB MAX  
 SWITCHING TIME 2 SEC. TYP  
 MATERIAL ALUMINUM  
 FINISH SATIN BLACK ENAMEL,  
 IRIDITE ON FLANGE FACES.

**NOTES:**  
 1. \*\* MANUAL SWITCH DOES NOT INCLUDE RECEPTACLE.  
 2. BLUE BOXES ARE REQUIRED FIELDS.  
 3. !! IF OPTION IS NOT REQUIRED, LEAVE (GOLD BOX) BLANK



**SCHEMATIC DIAGRAM  
(Shown in Pos.1)  
STANDARD CIRCUIT**

ZONE	LTR	DESCRIPTION	APV	DATE
	-	RELEASED	J.P.	10/22/92
<b>REVISIONS</b>				

TOLERANCES:	DRAWN	A.C.	10/22/92
DECIMALS	CHECKED		
2 PLACES: +/- .03	APVD	J.P.	10/22/92
3 PLACES: +/- .010	APVD		
FRACTIONS: +/- 1/32			
ANGLES: +/- 1/2 deg.			

<b>SECTOR MICROWAVE IND., INC.</b>			
WR975 SERIES W/G SWITCH			
SIZE	L	MFG CODE	53263
SCALE: 1/5	UNIT WT.	SHEET 1 OF 1	REV.
		<b>9xxx SERIES</b>	-