

**SPECIFICATIONS:**  
 FREQ RANGE 8.20 TO 12.4 GHz  
 VSWR 1.05 : 1 MAX  
 INSERTION LOSS 0.05 db MAX  
 ISOLATION 60 db MIN  
 SWITCHING TIME 50 mSEC, TYP  
 PRESSURE TO 30 PSIG (R-F HEAD)  
 FINISH IRIDITE ON FLANGES, SATIN BLACK ENAMEL ON REST OF BODY.

**NOTES:**  
 1. \*\* MANUAL SWITCH DOES NOT INCLUDE RECEPTACLE.  
 2. BLUE BOXES ARE REQUIRED FIELDS.  
 3. !! IF OPTION IS NOT REQUIRED, LEAVE (GOLD BOX) BLANK

**PART NO. SELECTION**

VOLTAGE	AMPS	CODE
+22 TO +32	0.9	A
-22 TO -32	0.9	B
+10 TO +14	1.5	C
-10 TO -14	1.5	D
+44 TO +54	0.5	E
-44 TO -54	0.5	F
117VAC	0.5	H
235VAC	0.5	K
MANUAL **		M

CODE	FLANGE
P	PLAIN
C	CHOKE
O	O-RING

**!! ELECTRICAL CIRCUIT (IF OTHER THAN STD.)**

CODE	!! OPTION
1	SPDT

LOCKING	CODE
	L

CODE	SW. LOCKED IN POSITION
1	POS. 1
2	POS. 2
3	POS. 1 & 2

CODE	KEY REMOVABLE
1	LOCKED POS.
2	LOCKED & UNLOCKED POS.

X	
PART NO. SERIES	X CODE

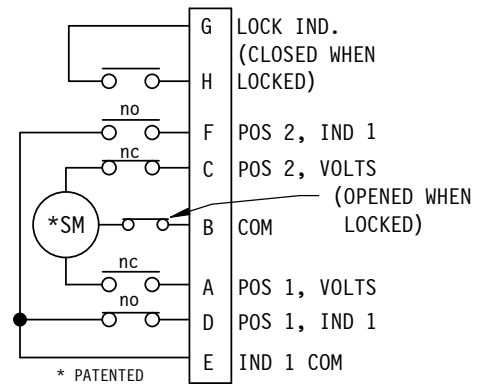
METRIC THREAD	M
!! OPTION	CODE

W	SHELTERED
CODE	!! OPTION

L	
---	--

(PART NO. EX.) XAPML32  
 WR90 W/G SW., +28VDC, PLAIN FLANGE, METRIC THD's, LOCKING, BOTH POSITIONS WITH KEY REMOVABLE IN LOCKED & UNLOCKED POS.

(USED IN A SHELTERED ENVIRONMENT)



STD. ELECTRICAL CKT. (with lock ind.)  
 Shown in Position 1  
 ONE FORM C

FOR OTHER ELECT CKT's SEE SCHEMATIC PAGE.

WEB SITE: [www.sectormicrowave.com](http://www.sectormicrowave.com)

ZONE	LTR	DESCRIPTION	APV	DATE
	A	RELEASED.	AC	5/18/99
<b>REVISIONS</b>				

**TOLERANCES:**  
 DECIMALS  
 2 PLACES: +/- .03  
 3 PLACES: +/- .010  
 FRACTIONS: +/- 1/64  
 ANGLES: +/- 1/2 deg.

DRAWN	A.C.	5/9/99
CHECKED		
APVD	D.N.	5/9/99
APVD		

<b>SECTOR MICROWAVE IND., INC.</b>			
WR90 W/G SWITCH, LOCKING SERIES			
SIZE	L	MFG CODE	53263
XxxLxx LOCKING SERIES		A	
SCALE: NONE	UNIT WT.	SHEET 1 OF 1	
		REV.	