

75Sxx SERIES

SPECIFICATIONS:

| | W/G | COAX SPECIFICATIONS; | | | | | |
|------------------|---|----------------------|------|-------|--------|-------|-------|
| FREQ RANGE (GHz) | 10.0 TO 15.0 | 0-1 | 1-2 | 2-6.5 | 6.5-11 | 11-15 | 15-18 |
| VSWR (MAX) | 1.08 : 1 | 1.10 | 1.15 | 1.25 | 1.30 | 1.35 | 1.50 |
| INS. LOSS (MAX) | 0.05 db | 0.05 | 0.10 | 0.25 | 0.30 | 0.35 | 0.5 |
| ISOLATION (MIN) | 70 db | 80 | 70 | 60 | 60 | 50 | 50 |
| SWITCHING TIME | 75 mSEC, TYP @ 28 VDC | | | | | | |
| PRESSURE | TO 15 PSIG (R-F HEAD ONLY) | | | | | | |
| FINISH | IRIDITE ON FLANGES, SATIN BLACK ENAMEL ON REST OF BODY. | | | | | | |

| VOLTAGE | AMPS | CODE |
|------------|------|------|
| +22 TO +32 | 0.9 | A |
| -22 TO -32 | 0.9 | B |
| +10 TO +14 | 1.5 | C |
| -10 TO -14 | 1.5 | D |
| +44 TO +54 | 0.5 | E |
| -44 TO -54 | 0.5 | F |
| 117VAC | 1.2 | H |
| 235VAC | 0.5 | K |
| MANUAL ** | | M |

PART NO. SELECTION

| CODE | FLANGE |
|------|--------|
| P | PLAIN |
| C | CHOKE |
| O | O-RING |
| F | CPRF |
| G | CPRG |

| CODE | !! OPTION |
|------|-----------|
| 1 | SPDT |

| CODE | !! OPTION |
|------|---------------|
| M | METRIC THREAD |

| | | | | | |
|-----|--|--|--|--|--|
| 75S | | | | | |
|-----|--|--|--|--|--|

| | |
|----------|------|
| PART NO. | 75S |
| SERIES | CODE |

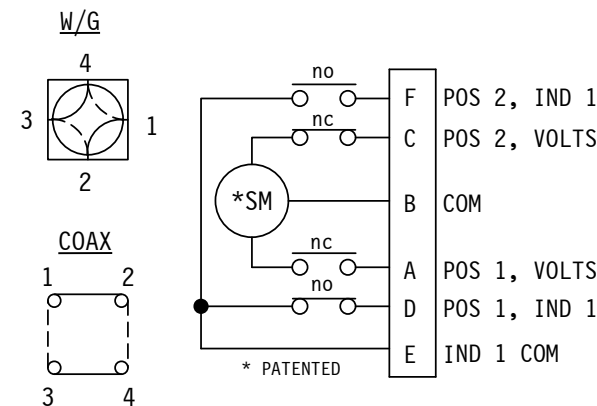
!! ELECTRICAL CIRCUIT (IF OTHER THAN STD.)

PART NO. EX.: 75SAPM

WR75 WG/SMA DUAL SWITCH, +28VDC, PLAIN FLANGE, METRIC THDS.

FOR OTHER ELECT CKT'S SEE SCHEMATIC PAGE.

WEB SITE: www.sectormicrowave.com



— POS 1
 - - - POS 2
 STD. ELECTRICAL CKT. Shown in Position 1 ONE FORM C
 R-F PATHS

NOTES:

- ** MANUAL SWITCH DOES NOT INCLUDE RECEPTACLE.
- BLUE BOXES ARE REQUIRED FIELDS.
- !! IF OPTION IS NOT REQUIRED, LEAVE (GOLD BOX) BLANK

| ZONE | LTR | DESCRIPTION | APV | DATE |
|------------------|-----|-------------|------|---------|
| | A | RELEASED. | T.N. | 9/25/06 |
| REVISIONS | | | | |

| | | | |
|---|---------|------|---------|
| TOLERANCES: DECIMALS 2 PLACES: +/- .03 3 PLACES: +/- .010 FRACTIONS: +/- 1/64 ANGLES: +/- 1/2 deg. | DRAWN | A.C. | 9/25/06 |
| | CHECKED | | |
| | APVD | T.N. | 9/25/06 |
| | APVD | | |

| | | | |
|------------------------------------|----------|--------------|-------|
| SECTOR MICROWAVE IND., INC. | | | |
| WR75 DUAL W/G-COAX SWITCH | | | |
| SIZE | L | MFG CODE | 53263 |
| SCALE: NONE | UNIT WT. | SHEET 1 OF 1 | A |
| | | | REV. |