

**SPECIFICATIONS:**

	W/G	COAX SPECIFICATIONS;					
FREQ RANGE (GHz)	10.0 TO 15.0	0-1	1-2	2-6.5	6.5-11	11-15	15-18
VSWR (MAX)	1.08 : 1	1.10	1.15	1.25	1.30	1.35	1.50
INS. LOSS (MAX)	0.05 db	0.05	0.10	0.25	0.30	0.35	0.5
ISOLATION (MIN)	70 db	80	70	60	60	50	50
SWITCHING TIME	75 mSEC, TYP @ 28 VDC						
PRESSURE	TO 15 PSIG (R-F HEAD ONLY)						
FINISH	IRIDITE ON FLANGES, SATIN BLACK ENAMEL ON REST OF BODY.						

- NOTES:**
- \*\* MANUAL SWITCH DOES NOT INCLUDE RECEPTACLE.
  - BLUE BOXES ARE REQUIRED FIELDS.
  - !! IF OPTION IS NOT REQUIRED, LEAVE (GOLD BOX) BLANK

VOLTAGE	AMPS	CODE
+22 TO +32	0.9	A
-22 TO -32	0.9	B
+10 TO +14	1.5	C
-10 TO -14	1.5	D
+44 TO +54	0.5	E
-44 TO -54	0.5	F
117VAC	1.2	H
235VAC	0.5	K
MANUAL **		M

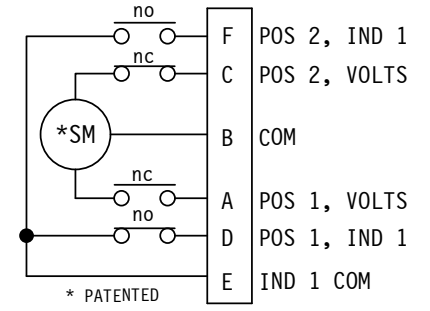
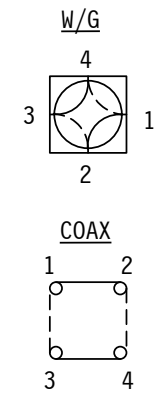
**PART NO. SELECTION**

CODE	FLANGE	CODE	!! OPTION
P	PLAIN	M	METRIC THREAD
C	CHOKE	(USED IN A SHELTERED ENVIRONMENT)	
O	O-RING	CODE	ENVIRONMENTAL
F	CPRF	W	SHELTERED
G	CPRG		

<b>75S</b>			
PART NO. SERIES	75S CODE	SPDT	1
		!! OPTION	CODE

**!! ELECTRICAL CIRCUIT (IF OTHER THAN STD.) SEE SCHEMATIC PAGE**

PART NO. EX.: 75SAPMW2  
 WR75 WG/SMA DUAL SWITCH, +28VDC, PLAIN FLANGE, METRIC THDS., SHELTERED, CKT #2.



— POS 1  
 - - - POS 2  
 STD. ELECTRICAL CKT. Shown in Position 1 ONE FORM C

**R-F PATHS**

WEB SITE: [www.sectormicrowave.com](http://www.sectormicrowave.com)

ZONE	LTR	DESCRIPTION	APV	DATE
	A	RELEASED.	TN	12/9/03
<b>REVISIONS</b>				

TOLERANCES:	DRAWN	A.C.	12/9/03
DECIMALS	CHECKED		
2 PLACES: +/- .03	APVD	T.N.	12/9/03
3 PLACES: +/- .010	APVD		
FRACTIONS: +/- 1/64			
ANGLES: +/- 1/2 deg.			

<b>SECTOR MICROWAVE IND., INC.</b>			
WR75 WG/SMA DUAL SHELTERED SWITCH SERIES			
SIZE	L	CAGE CODE	53263
		<b>75Sxx SHELTERED SER.</b>	A
SCALE: NONE	UNIT WT.	SHEET 1 OF 1	REV.