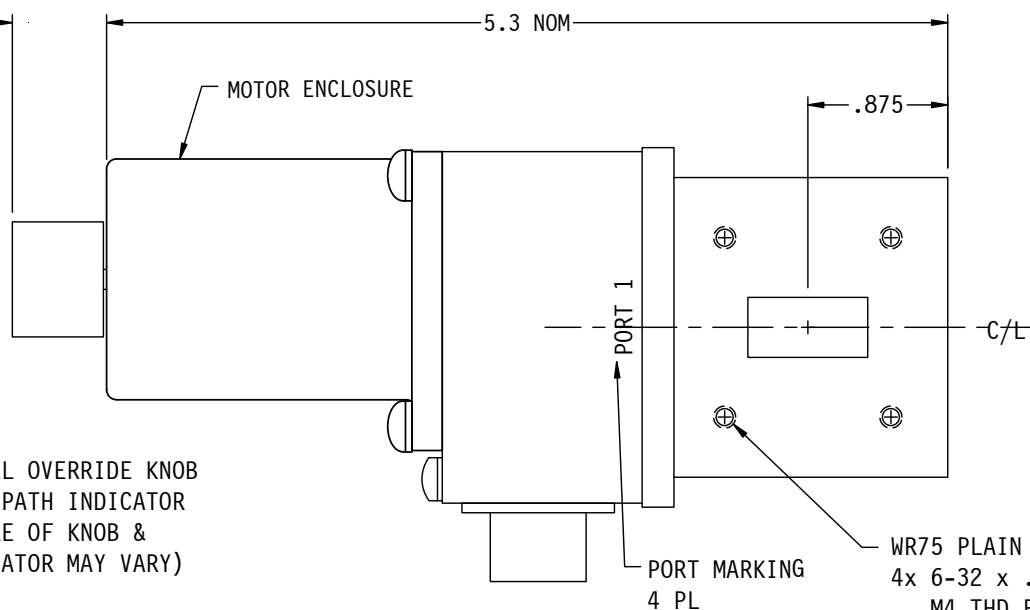


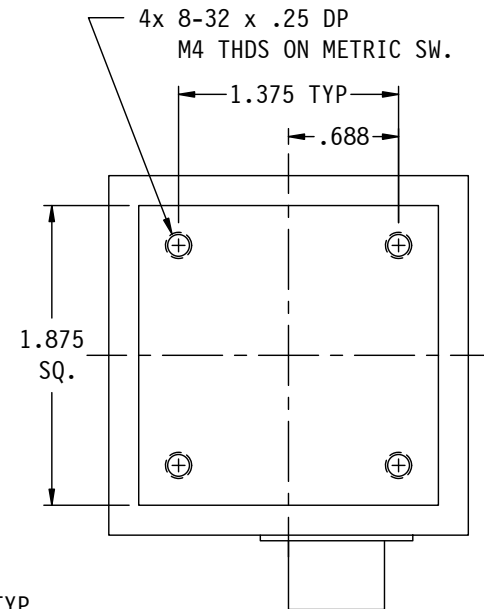
MANUAL OVERRIDE KNOB & RF PATH INDICATOR (STYLE OF KNOB & INDICATOR MAY VARY)

CONNECTOR (STD CKT) MS3112E10-6P



PORT MARKING 4 PL

WR75 PLAIN FLANGE 4x 6-32 x .25 DP, TYP M4 THD FOR METRIC SW.



- SPECIFICATIONS:**
- FREQ RANGE (GHz) — 10.0 TO 15.0
  - VSWR (MAX) — 1.08 : 1 (1.05:1 TYP)
  - INS. LOSS (MAX) — 0.05 db
  - ISOLATION (MIN) — 60 db
  - SWITCHING TIME — 50mSec, TYP
  - LIFE — 100,000 CYCLES, MIN
  - VOLTAGE — SEE P/N SELECTION
  - PRESSURE — TO 30 PSIG
  - FINISH — IRIDITE ON FLANGES, SATIN BLACK FINISH ON REST OF BODY.

- NOTES:**
- \*\* MANUAL SWITCH DOES NOT INCLUDE RECEPTACLE.
  - BLUE BOXES ARE REQUIRED FIELDS.
  - !! IF OPTION IS NOT REQUIRED, LEAVE (GOLD BOX) BLANK

VOLTAGE	AMPS	CODE
+22 TO +32	0.9	A
-22 TO -32	0.9	B
+10 TO +14	1.5	C
-10 TO -14	1.5	D
+44 TO +54	0.5	E
-44 TO -54	0.5	F
117VAC	0.5	H
235VAC	0.5	K
MANUAL **		M

**PART NO. SELECTION**

CODE	FLANGE
P	PLAIN
C	CHOKE
O	O-RING
F	CPRF
G	CPRG

CODE	!! OPTION
M	METRIC THREAD

(USED IN A SHELTERED ENVIRONMENT)

CODE	ENVIRONMENTAL
W	SHELTERED

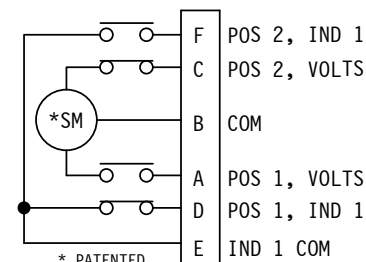
FOR OTHER ELECT CKT'S SEE SCHEMATIC PAGE.

75-										
PART NO. SERIES	75-									
	CODE									
		SPDT	1							
		!! OPTION	CODE							

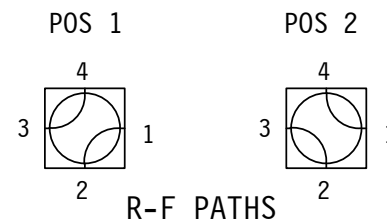
!! ELECTRICAL CIRCUIT (IF OTHER THAN STD.)

PART NO. EX.: 75-APW2

WR75 WG SWITCH, +28VDC, PLAIN FLANGE, SHELTERED, CKT #2



STD. ELECT. CKT. Shown in Pos. 1 ONE FORM C



WEB SITE: [www.sectormicrowave.com](http://www.sectormicrowave.com)

ZONE	LTR	DESCRIPTION	APV	DATE
	-	RELEASED.	TN	12/9/03
<b>REVISIONS</b>				

TOLERANCES:	DRAWN	A.C.	12/9/03
DECIMALS	CHECKED		
2 PLACES: +/- .03	APVD	T.N.	12/9/03
3 PLACES: +/- .010	APVD		
FRACTIONS: +/- 1/64			
ANGLES: +/- 1/2 deg.			

<b>SECTOR MICROWAVE IND., INC.</b>			
WR75 SHELTERED W/G SWITCH SERIES			
SIZE L	CAGE CODE	<b>53263</b>	<b>75-xx SHELTERED SER.</b>
SCALE: NONE	UNIT WT.	SHEET 1 OF 1	REV.

75-xx SHELTERED SER.