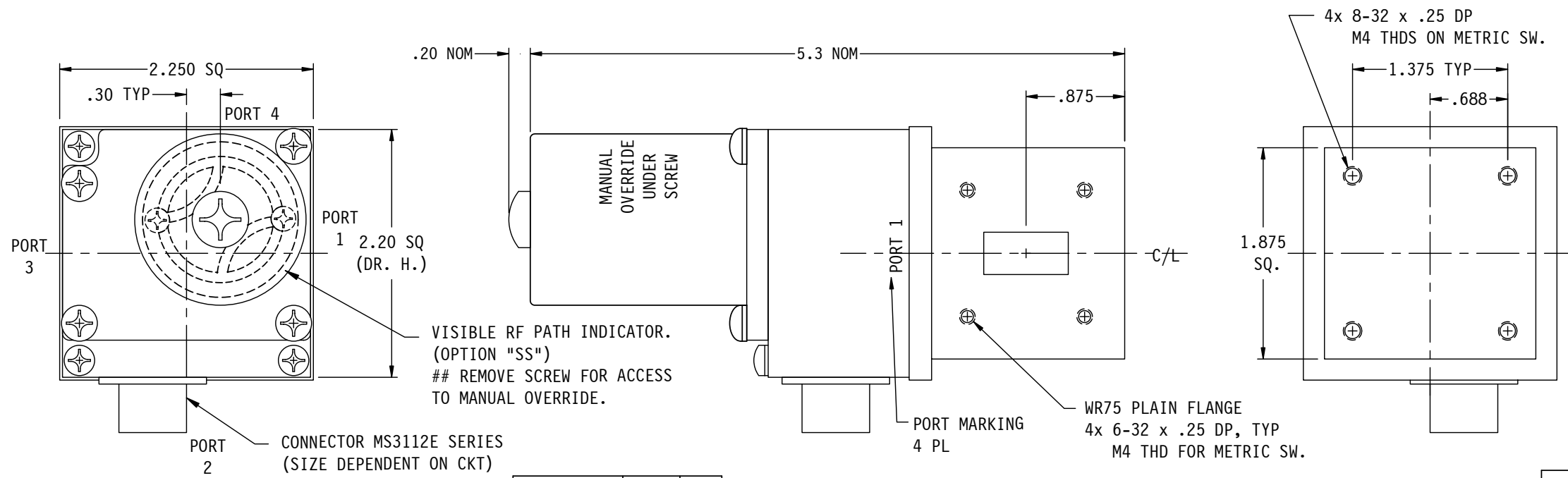


WR75 SEALED SER.



VISIBLE RF PATH INDICATOR. (OPTION "SS")
 ## REMOVE SCREW FOR ACCESS TO MANUAL OVERRIDE.

TOP EXTERIOR SCREW CAN BE REMOVED ALLOWING ACCESS TO MANUAL OVERRIDE. No. 1 PHILLIPS SCREWDRIVER REQUIRED.

SPECIFICATIONS:
 FREQ RANGE (GHz) — 10.0 TO 15.0
 VSWR (MAX) — 1.08 : 1 (1.05:1 TYP)
 INS. LOSS (MAX) — 0.05 db
 ISOLATION (MIN) — 60 db
 SWITCHING TIME — 50mSec, TYP
 LIFE — 100,000 CYCLES, MIN
 VOLTAGE — SEE P/N SELECTION
 PRESSURE — TO 30 PSIG
 FINISH — IRIDITE ON FLANGES, SATIN BLACK FINISH ON REST OF BODY.

| VOLTAGE | AMPS | CODE |
|------------|------|------|
| +22 TO +32 | 0.9 | A |
| -22 TO -32 | 0.9 | B |
| +10 TO +14 | 1.5 | C |
| -10 TO -14 | 1.5 | D |
| +44 TO +54 | 0.5 | E |
| -44 TO -54 | 0.5 | F |
| 117VAC | 0.5 | H |
| 235VAC | 0.5 | K |
| MANUAL ** | | M |

PART NO. SELECTION

| CODE | FLANGE |
|------|--------|
| P | PLAIN |
| C | CHOKE |
| O | O-RING |
| F | CPRF |
| G | CPRG |

| CODE | !! OPTION |
|------|---------------|
| M | METRIC THREAD |

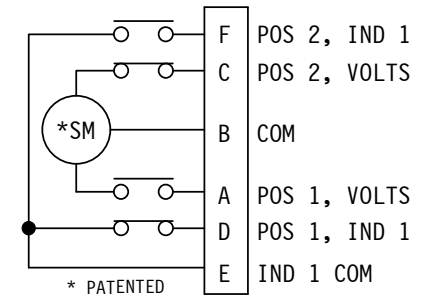
| CODE | ENVIRONMENTAL |
|------|--------------------------------|
| S | SEALED |
| SS | ## SEALED WITH REMOVABLE SCREW |

| !! OPTION | CODE |
|-----------|------|
| SPDT | 1 |

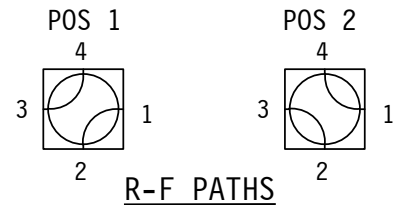
| | | | | | |
|-----------------|------|----------|---|-----------|------|
| PART NO. SERIES | 75 | | | | |
| | CODE | FAILSAFE | F | !! OPTION | CODE |

PART NO. EX.: 75APS2
 WR75 WG SWITCH, +28VDC, PLAIN FLANGE, SEALED, CKT #2

!! ELECTRICAL CIRCUIT (IF OTHER THAN STD.) SEE SCHEMATIC PAGE



STD. ELECT. CKT. Shown in Pos. 1 ONE FORM C



NOTES:
 1. ** MANUAL SWITCH DOES NOT INCLUDE RECEPTACLE.
 2. BLUE BOXES ARE REQUIRED FIELDS.
 3. !! IF OPTION IS NOT REQUIRED, LEAVE (GOLD BOX) BLANK

WEB SITE: www.sectormicrowave.com

| ZONE | LTR | DESCRIPTION | APV | DATE |
|------------------|-----|-------------|-----|---------|
| | A | RELEASED. | TN | 12/9/03 |
| REVISIONS | | | | |

| | | | |
|---|---------|------|---------|
| TOLERANCES: DECIMALS 2 PLACES: +/- .03 3 PLACES: +/- .010 FRACTIONS: +/- 1/64 ANGLES: +/- 1/2 deg. | DRAWN | A.C. | 12/9/03 |
| | CHECKED | | |
| | APVD | T.N. | 12/9/03 |
| | APVD | | |

| | | | |
|------------------------------------|----------|-------------------------|--------|
| SECTOR MICROWAVE IND., INC. | | | |
| WR75 W/G SWITCH SEALED SERIES | | | |
| SIZE | L | CAGE CODE | 53263 |
| | | WR75 SEALED SER. | |
| SCALE: NONE | UNIT WT. | SHEET 1 OF 1 | A REV. |