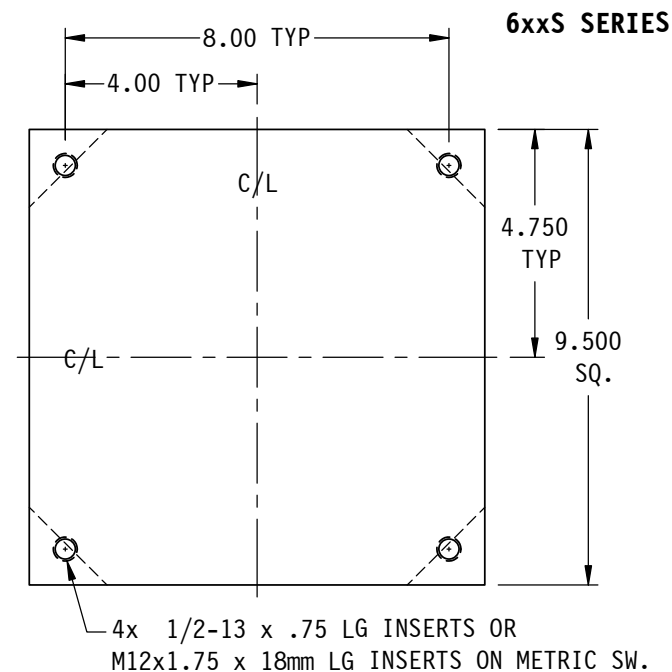
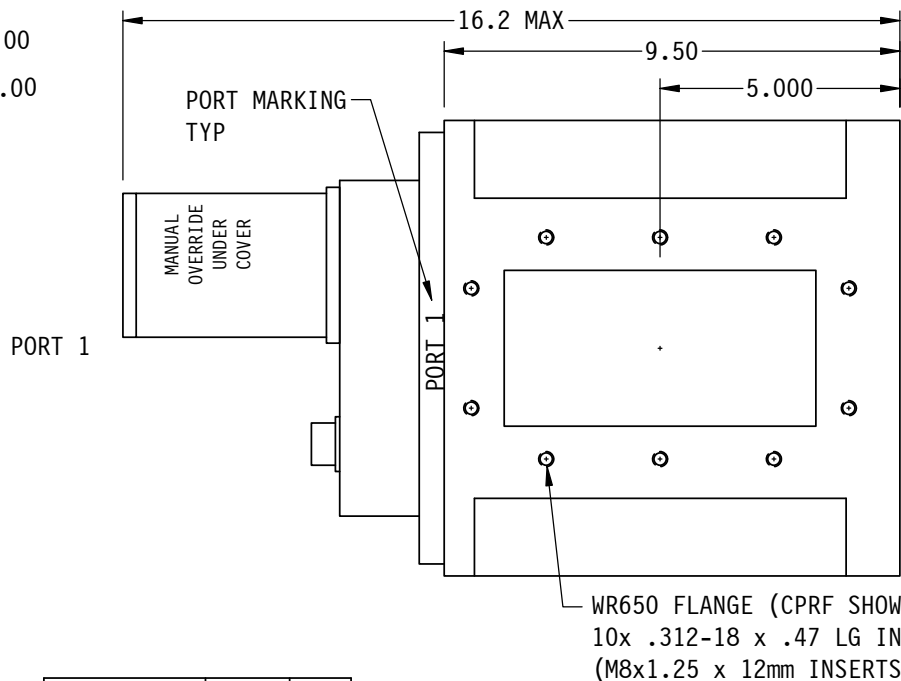
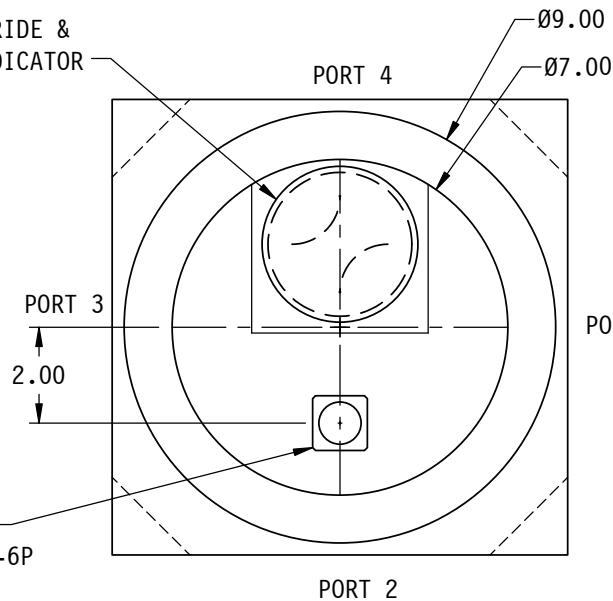


MANUAL OVERRIDE &
R-F PATH INDICATOR



CONNECTOR
MS3102A14S-6P
(STD CKT)

SPECIFICATIONS:

- FREQ RANGE ——— 1.12 TO 1.70 GHz
- VSWR ——— 1.05 : 1 MAX
- INSERTION LOSS ——— 0.01 db MAX
- ISOLATION ——— 80 db MIN
- SWITCHING TIME ——— 1.0 SEC NOM
- PRESSURE ——— TO 30 PSIG (R-F HEAD)
- MATERIAL/FINISH ——— ALUM ALY / SATIN BLACK ENAMEL,
IRIDITE ON FLANGE FACES.

VOLTAGE	AMPS	CODE
+22 TO +32	5	A
-22 TO -32	5	B
+10 TO +14	-	C
-10 TO -14	-	D
+44 TO +54	-	E
-44 TO -54	-	F
117VAC	2	H
235VAC	-	K
MANUAL **	-	M

PART NUMBER SELECTION

CODE	FLANGE
F	CPRF
G	CPRG

CODE	!! OPTION
M	METRIC THREAD

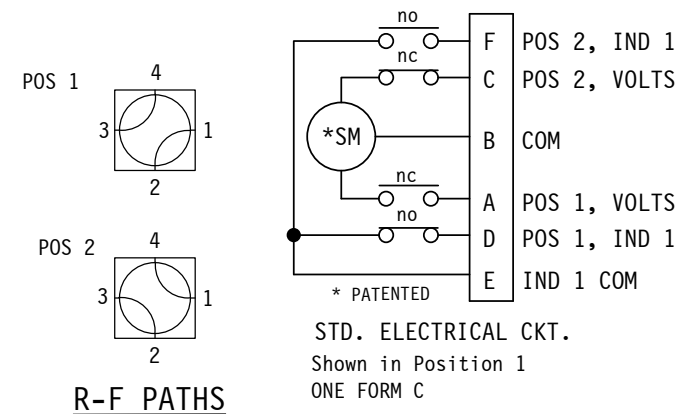
CODE	ENVIRONMENTAL
S	SEALED

6			
PART NO.	6		
SERIES	CODE	SPDT	1
		!! OPTION	CODE

PART NO. EX.: 6AFMS6A

WR650 WG SWITCH, +28VDC, CPRF FLANGE,
METRIC THDS., SEALED, ELECT CKT #6A.

WEB SITE: www.sectormicrowave.com



NOTES:

1. ** MANUAL SWITCH DOES NOT INCLUDE RECEPTACLE.
2. BLUE BOXES ARE REQUIRED FIELDS.
3. !! IF OPTION IS NOT REQUIRED, LEAVE (GOLD BOX) BLANK

TOLERANCES:
DECIMALS
2 PLACES: +/- .03
3 PLACES: +/- .010
FRACTIONS: +/- 1/64
ANGLES: +/- 1/2 deg.

DRAWN	A.C.	10/8/06
CHECKED		
APVD	R.R.	10/8/06
APVD		

SECTOR MICROWAVE IND., INC.
WR650 WAVEGUIDE SWITCH, SEALED SERIES

SIZE	L	MFG CODE	53263	6xxS SEALED SERIES	A
SCALE:	NONE	UNIT WT.		SHEET	1 OF 1
					REV.

ZONE	LTR	DESCRIPTION	APV	DATE
	A	RELEASED.	AC	10/8/06
REVISIONS				