

SPECIFICATIONS;

	W/G	COAX
FREQ RANGE	12.4 TO 18.0 GHz	
INSERTION LOSS	0.10 db MAX	0.50 db MAX **
VSWR	1.10 : 1 MAX	1.50 : 1 MAX **
ISOLATION	60 db MIN	50 db MIN
R-F POWER	3 KWA	10 WATTS
PRESSURE	TO 30 PSIG (R-F HEAD ONLY)	
SWITCHING TIME	75 mSEC, TYP	
DRIVE	LATCHING, SECTOR MOTOR	
VOLTAGE	SEE P/N SELECT.	
FINISH	IRIDITE ON FLANGES, SATIN BLACK ENAMEL ON BODY.	

** VSWR 1.35 : 1 (12.4 TO 15 GHz)
INS. LOSS 0.35 db (12.4 TO 15 GHz)

NOTES:

- ** MANUAL SWITCH DOES NOT INCLUDE RECEPTACLE.
- BLUE BOXES ARE REQUIRED FIELDS.
- !! IF OPTION IS NOT REQUIRED, LEAVE (GOLD BOX) BLANK

VOLTAGE	AMPS	CODE
+22 TO +32	0.9	A
-22 TO -32	0.9	B
+10 TO +14	1.5	C
-10 TO -14	1.5	D
+44 TO +54	0.5	E
-44 TO -54	0.5	F
117VAC	1.2	H
235VAC	0.5	K
MANUAL **		M

PART NO. SELECTION

CODE	FLANGE
P	PLAIN
C	CHOKE
O	O-RING

CODE	!! OPTION
1	SPDT

CODE	!! OPTION
M	METRIC THREAD

PART NO. SERIES	US CODE
	US

!! ELECTRICAL CIRCUIT (IF OTHER THAN STD.)

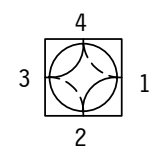
PART NO. EX.: USAPM

WR62 WG/SMA DUAL SWITCH, +28VDC, PLAIN FLANGE, METRIC THDS.

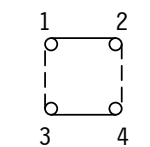
FOR OTHER ELECT CKT'S SEE SCHEMATIC PAGE.

WEB SITE: www.sectormicrowave.com

W/G

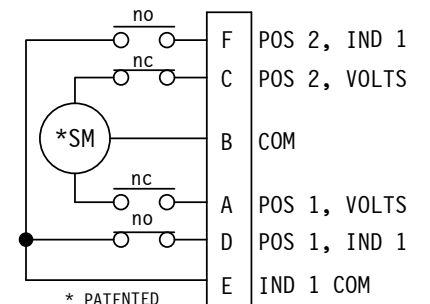


COAX



— POS 1
- - - POS 2

R-F PATHS



STD. ELECTRICAL CKT.
Shown in Position 1
ONE FORM C

ZONE	LTR	DESCRIPTION	APV	DATE
	A	RELEASED	RR	9/30/03
REVISIONS				

TOLERANCES:
DECIMALS
2 PLACES: +/- .03
3 PLACES: +/- .010
FRACTIONS: +/- 1/64
ANGLES: +/- 1/2 deg.

DRAWN	AC	5-27-97
CHECKED		
APVD	JP	5-27-97
APVD		

SECTOR MICROWAVE IND., INC.

WR62 DUAL W/G - SMA COAX SW. SERIES

SIZE	L	CAGE CODE	53263	USxx DUAL SERIES	A
SCALE: NONE	UNIT WT.	SHEET 1 OF 1		REV.	