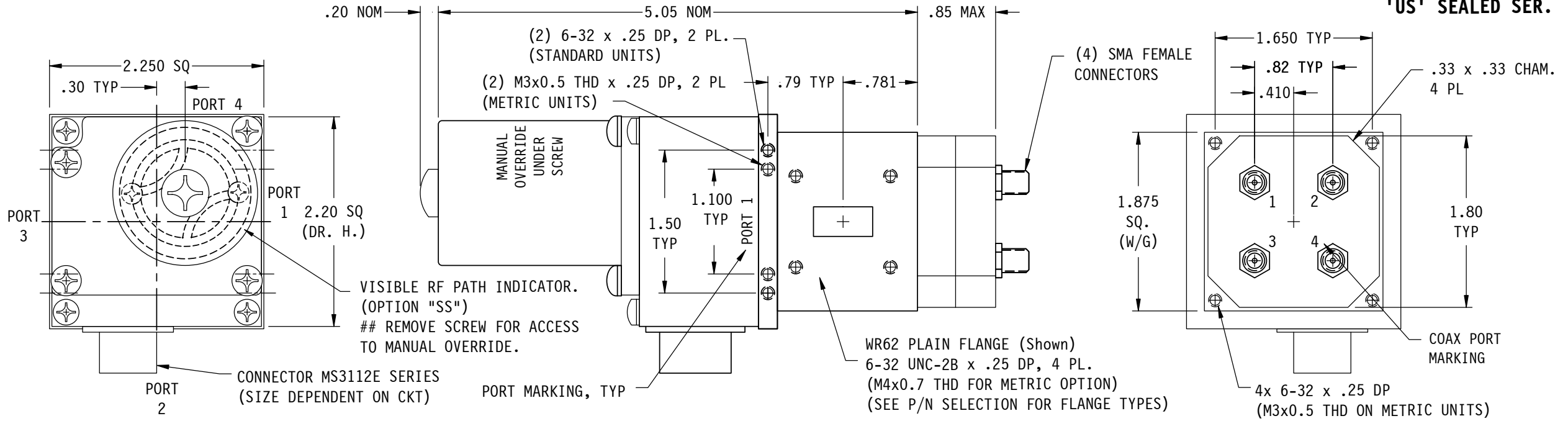


'US' SEALED SER.



SPECIFICATIONS;

	W/G	COAX
FREQ RANGE	12.4 TO 18.0 GHz	
INSERTION LOSS	0.10 db MAX	0.50 db MAX **
VSWR	1.10 : 1 MAX	1.50 : 1 MAX **
ISOLATION	60 db MIN	50 db MIN
R-F POWER	3 KWA	10 WATTS
PRESSURE	TO 30 PSIG	
SWITCHING TIME	75 mSEC, TYP	
DRIVE	LATCHING, SECTOR MOTOR	
VOLTAGE	SEE P/N SELECT.	
FINISH	IRIDITE ON FLANGES, SATIN BLACK ENAMEL ON BODY.	

- ** VSWR 1.35 : 1 (12.4 TO 15 GHz)
INS. LOSS 0.35 db (12.4 TO 15 GHz)
- NOTES:
1. ** MANUAL SWITCH DOES NOT INCLUDE RECEPTACLE.
2. BLUE BOXES ARE REQUIRED FIELDS.
3. !! IF OPTION IS NOT REQUIRED, LEAVE (GOLD BOX) BLANK

VOLTAGE	AMPS	CODE
+22 TO +32	0.9	A
-22 TO -32	0.9	B
+10 TO +14	1.5	C
-10 TO -14	1.5	D
+44 TO +54	0.5	E
-44 TO -54	0.5	F
117VAC	1.2	H
235VAC	0.5	K
MANUAL **		M

PART NO. SELECTION

CODE	FLANGE
P	PLAIN
C	CHOKE
O	O-RING

CODE	!! OPTION
M	METRIC THREAD

CODE	ENVIRONMENTAL
S	SEALED
SS	## SEALED WITH REMOVABLE SCREW

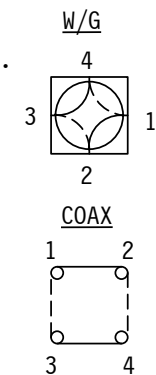
TOP EXTERIOR SCREW CAN BE REMOVED ALLOWING ACCESS TO MANUAL OVERRIDE. No. 1 PHILLIPS SCREWDRIVER REQUIRED.

PART NO. SERIES	US CODE	SPDT !! OPTION	1 CODE
	US		

PART NO. EX.: USAPMS2

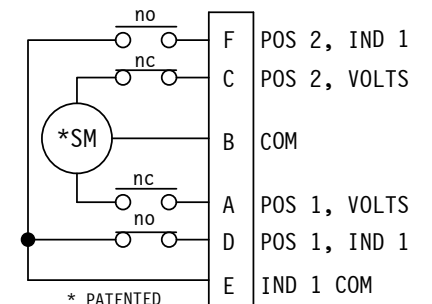
WR62 WG/SMA DUAL SWITCH, +28VDC, PLAIN FLANGE, METRIC THDS., SEALED, CKT #2

!! ELECTRICAL CIRCUIT (IF OTHER THAN STD.) SEE SCHEMATIC PAGE



POS 1
POS 2

R-F PATHS



STD. ELECTRICAL CKT. Shown in Position 1 ONE FORM C

WEB SITE: www.sectormicrowave.com

ZONE	LTR	DESCRIPTION	APV	DATE
	A	RELEASED	RR	9/30/03
REVISIONS				

TOLERANCES:	DRAWN	AC	9/30/03
DECIMALS	CHECKED		
2 PLACES: +/- .03	APVD	RR	9/30/03
3 PLACES: +/- .010	APVD		
FRACTIONS: +/- 1/64			
ANGLES: +/- 1/2 deg.			

SECTOR MICROWAVE IND., INC.				
WR62 DUAL W/G - SMA COAX SW. SEALED SERIES				
SIZE	L	CAGE CODE	53263	USxx SEALED DUAL SERIES
SCALE: NONE	UNIT WT.	SHEET 1 OF 1		REV. A