

SPECIFICATIONS;
 FREQ RANGE (GHz) — 15.0 - 22.0
 VSWR — 1.10 : 1 MAX
 INSERTION LOSS — 0.10 db, MAX
 ISOLATION — 60 db, MIN
 SWITCHING TIME — 50 mSec, TYP
 PRESSURE — TO 30 PSIG (R-F HEAD)
 FINISH — IRIDITE ON FLANGES, SATIN BLACK ENAMEL ON BODY.

NOTES:
 1. ** MANUAL SWITCH DOES NOT INCLUDE RECEPTACLE.
 2. BLUE BOXES ARE REQUIRED FIELDS.
 3. !! IF OPTION IS NOT REQUIRED, LEAVE (GOLD BOX) BLANK

VOLTAGE	AMPS	CODE
+22 TO +32	0.9	A
-22 TO -32	0.9	B
+10 TO +14	1.5	C
-10 TO -14	1.5	D
+44 TO +54	0.5	E
-44 TO -54	0.5	F
117VAC	0.5	H
235VAC	0.5	K
MANUAL **		M

PART NO. SELECTION

CODE	FLANGE
P	PLAIN
C	CHOKE
O	O-RING

CODE	!! OPTION
M	METRIC THREAD

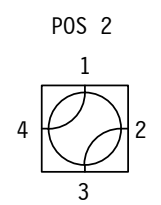
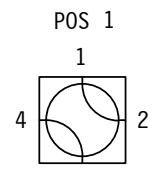
(THIS SERIES FOR CIRCUIT NO'S 2, 3, 4, 5, 5A, 6, 6A & T)

!! OPTION	CODE
SPDT	1

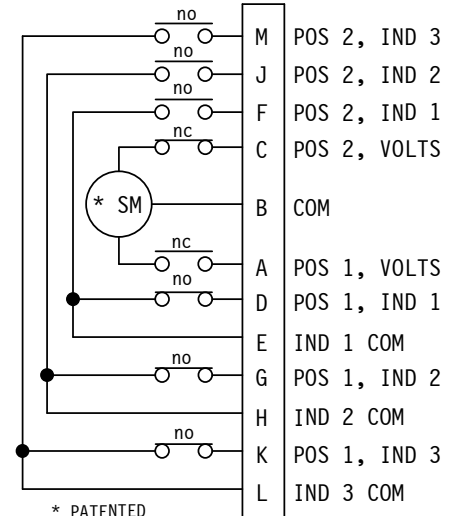
51					
PART NO. SERIES	51	FAILSAFE	F	ELECTRICAL CIRCUIT (INSERT CIRCUIT #) SEE SCHEMATIC PAGE	
CODE		!! OPTION	CODE		

PART NO. EX.: 51AP3

WR51 LATCHING WG SWITCH, +28VDC, PLAIN FLANGE, CIRCUIT #3.



R-F PATHS



* PATENTED
 ELECTRICAL CKT # 3
 Shown in Position 1
 THREE FORM C's

WEB SITE: www.sectormicrowave.com

ZONE	LTR	DESCRIPTION	APV	DATE
	A	RELEASED.	TN	7/25/06
REVISIONS				

TOLERANCES: DECIMALS 2 PLACES: +/- .03 3 PLACES: +/- .010 FRACTIONS: +/- 1/32 ANGLES: +/- 1/2 deg.	DRAWN	AC	7/25/06
	CHECKED		
	APVD	RR	7/25/06
	APVD		

SECTOR MICROWAVE IND., INC.			
WR51 WG SW. : LARGE CKT SERIES			
SIZE	L	CAGE CODE	53263
SCALE: NONE	UNIT WT.	WR51 LRG CKT SER.	
SHEET 1 OF 1			A
			REV.