

SPECIFICATIONS:	WG	COAX
FREQ RANGE	1.70 TO 2.60 GHz	2.1 - 2.7
VSWR	1.05 : 1 MAX	0.25 dB MAX
INSERTION LOSS	0.01 db MAX	1.25:1 MAX
ISOLATION	80 db MIN	60 dB MIN
SWITCHING TIME	.50 SEC, TYP	
DRIVE @ 28V	3 AMPS	
DRIVE @ 117VAC	1.5 AMPS	
PRESSURE	30 PSIG (R-F HEAD)	
FINISH	IRIDITE AND SATIN BLACK ENAMEL	

VOLTAGE	AMPS	CODE
+22 TO +32	3	A
-22 TO -32	3	B
+10 TO +14	3	C
-10 TO -14	3	D
+44 TO +54	2	E
-44 TO -54	2	F
117VAC	1.5	H
235VAC	1	K
MANUAL **		M

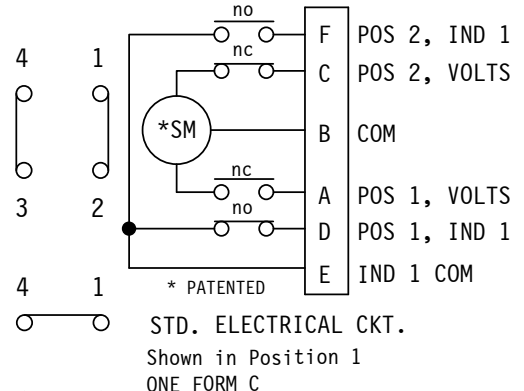
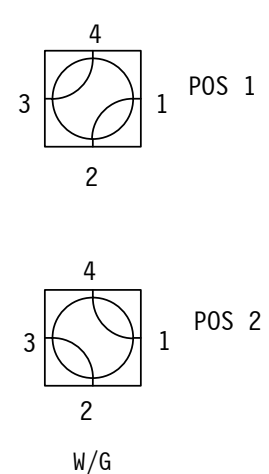
PART NUMBER SELECTION

CODE	FLANGE
F	CPRF
G	CPRG

!! ELECTRICAL CIRCUIT (IF OTHER THAN STD.) SEE SCHEMATIC PAGE.

4N					
PART NO. SERIES	4N CODE	SPDT !! OPTION	1 CODE	M CODE	METRIC THREAD !! OPTION

PART NO. EX.: 4NAFM2
WR430 WG/TYP N SWITCH, +28VDC, CPRF FLANGE, METRIC THDS., ELECT CKT #2.



- NOTES:
 1. ** MANUAL SWITCH DOES NOT INCLUDE RECEPTACLE.
 2. BLUE BOXES ARE REQUIRED FIELDS.
 3. !! IF OPTION IS NOT REQUIRED, LEAVE (GOLD BOX) BLANK

WEB SITE: www.sectormicrowave.com

R-F PATHS

ZONE	LTR	DESCRIPTION	APV	DATE
	A	RELEASED.	RK	10/5/00
REVISIONS				

TOLERANCES:	DRAWN	A.C.	10/5/00
DECIMALS	CHECKED		
2 PLACES: +/- .03	APVD	R.R.	10/5/00
3 PLACES: +/- .010	APVD		
FRACTIONS: +/- 1/64			
ANGLES: +/- 1/2 deg.			

SECTOR MICROWAVE IND., INC.

WR430 WG/TYP N DUAL SW. LIGHTWT. SER.

SIZE	L	MFG CODE	53263	4Nxxx SERIES	A
SCALE: NONE	UNIT WT.	SHEET 1 OF 1	REV.		