

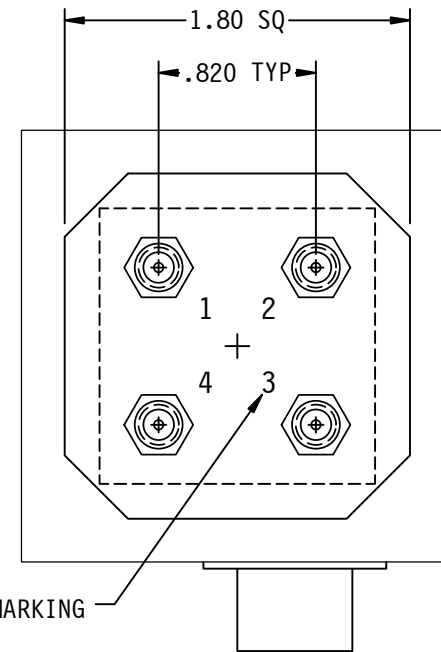
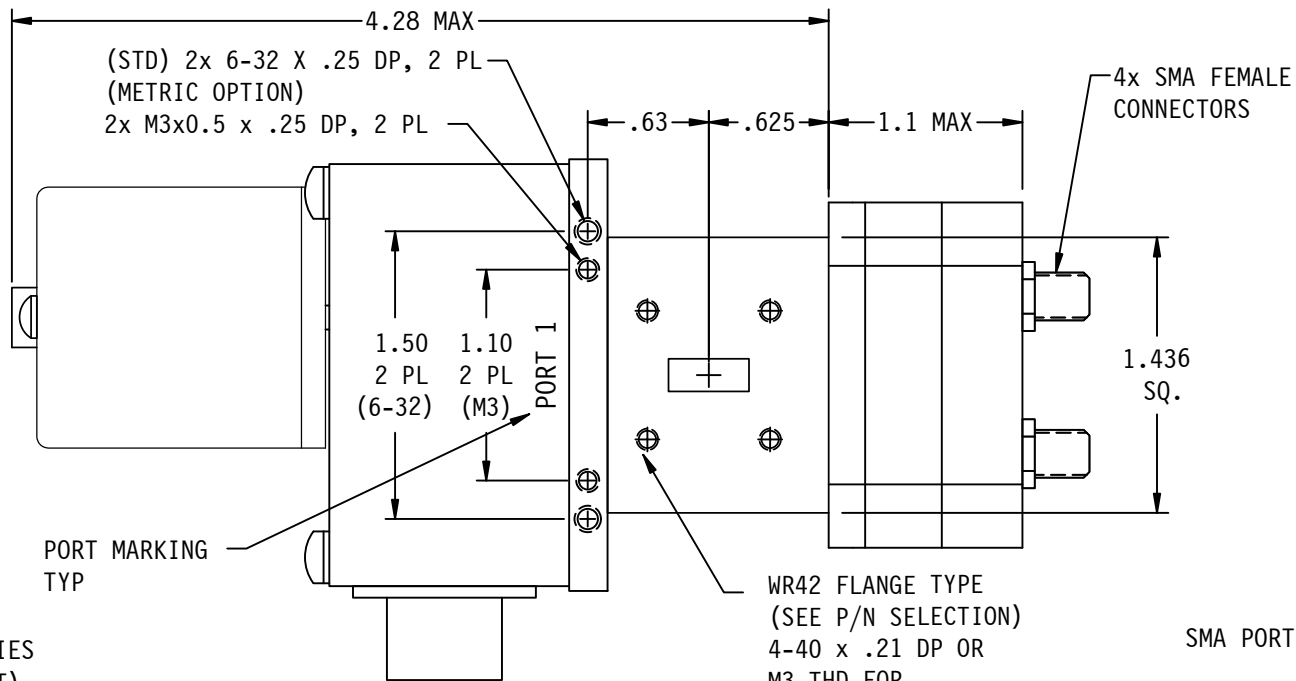
CONNECTOR MS3112E SERIES
(SIZE DEPENDENT ON CKT)

PORT 2

SPECIFICATIONS	W/G	COAX
FREQ RANGE (GHz)	18.0 TO 26.5	0 TO 22.0
VSWR (MAX)	1.10 : 1	1.5 : 1 (18-22 GHz)
INSERTION LOSS	.10 db MAX	0.5 dB TYP
ISOLATION	60 db MIN	70 db MIN
VOLTAGE	SEE P/N SELECTION	
SWITCHING TIME	75 mSec, TYP	
PRESSURE	TO 30 PSIG	
LIFE	100,000 OPERATIONS, MIN	
FINISH	IRIDITE ON FLANGES, SATIN BLACK FINISH ON DRIVE ASSY.	

NOTES:

- ** MANUAL SWITCH DOES NOT INCLUDE RECEPTACLE.
- BLUE BOXES ARE REQUIRED FIELDS.
- !! IF OPTION IS NOT REQUIRED, LEAVE (GOLD BOX) BLANK



SMA PORT MARKING

VOLTAGE	AMPS	CODE
+22 TO +32	0.9	A
-22 TO -32	0.9	B
+10 TO +14	1.5	C
-10 TO -14	1.5	D
+44 TO +54	0.5	E
-44 TO -54	0.5	F
117VAC	1.2	H
235VAC	0.5	K
MANUAL **		M

CODE	FLANGE
P	PLAIN
C	CHOKE
O	O-RING
R	ROUND

PART NO. SELECTION

CODE	!! OPTION
1	SPDT

CODE	!! OPTION
M	METRIC THREAD

KS

PART NO. SERIES	KS CODE
	KS

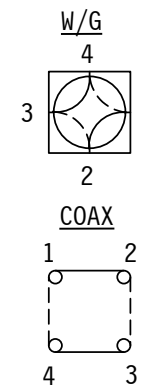
!! ELECTRICAL CIRCUIT
(IF OTHER THAN STD.)

PART NO. EX.: KSAPM

WR42 WG/SMA DUAL SWITCH, +28VDC,
PLAIN FLANGE, METRIC THDS.

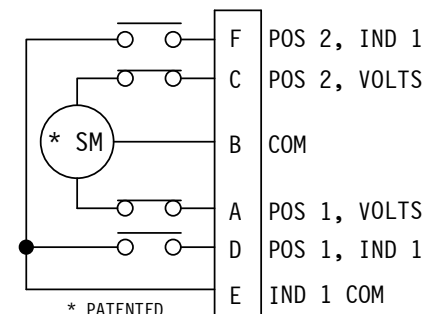
FOR OTHER ELECT CKT'S
SEE SCHEMATIC PAGE.

WEB SITE: www.sectormicrowave.com



— POS 1
- - - POS 2

R-F PATHS



* PATENTED

STD. ELECTRICAL CKT.
Shown in Position 1
ONE FORM C

ZONE	LTR	DESCRIPTION	APV	DATE
	A	RELEASED.	TN	10/8/08
REVISIONS				

TOLERANCES: DECIMALS 2 PLACES: +/- .03 3 PLACES: +/- .010 FRACTIONS: +/- 1/64 ANGLES: +/- 1/2 deg.	DRAWN A.C. 10/8/08	SECTOR MICROWAVE IND., INC.		
	CHECKED			
	APVD R.R. 10/8/08	WR42 WG/SMA DUAL SW.		
	APVD	SIZE L	MFG CODE 53263	KS (WR42 WG/SMA) SER. A
		SCALE: NONE	UNIT WT.	SHEET 1 OF 1
				REV.