

SPECIFICATIONS;
 FREQ RANGE (GHz) — 22.0 - 33.0
 VSWR — 1.10 : 1 MAX
 INSERTION LOSS — 0.15 db, MAX
 ISOLATION — 55 db, MIN
 SWITCHING TIME — 50 mSec, TYP
 PRESSURE — TO 30 PSIG (R-F HEAD)
 FINISH — IRIDITE ON FLANGES, SATIN BLACK ENAMEL ON BODY.

VOLTAGE	AMPS	CODE
+22 TO +32	0.9	A
-22 TO -32	0.9	B
+10 TO +14	1.5	C
-10 TO -14	1.5	D
+44 TO +54	0.5	E
-44 TO -54	0.5	F
117VAC	0.5	H
235VAC	0.5	K
MANUAL **		M

PART NO. SELECTION

CODE	FLANGE
P	PLAIN
O	O-RING

CODE	!! OPTION
M	METRIC THREAD

(THIS SERIES FOR CIRCUIT NO'S 2, 3, 4, 5, 5A, 6 & 6A)

!! OPTION	CODE
SPDT	1

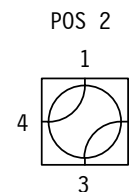
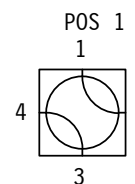
34

PART NO. SERIES	34 CODE
-----------------	---------

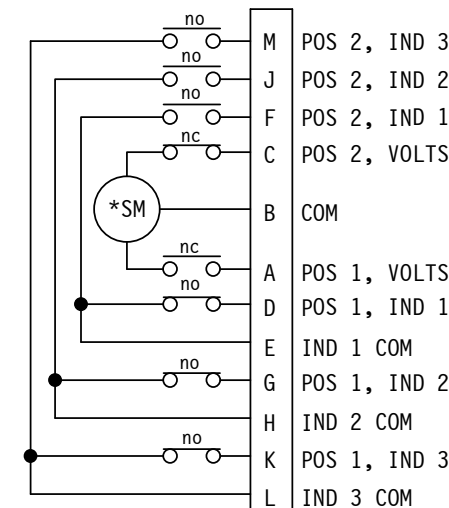
FAILSAFE	F
!! OPTION	CODE

ELECTRICAL CIRCUIT (INSERT CIRCUIT #)
 SEE SCHEMATIC PAGE

PART NO. EX.: 34AP3
 WR34 LATCHING WG SWITCH, +28VDC,
 PLAIN COVER FLANGE, CIRCUIT #3.



R-F PATHS



* PATENTED
 ELECTRICAL CKT # 3
 Shown in Position 1
 THREE FORM C's

WEB SITE: www.sectormicrowave.com

ZONE	LTR	DESCRIPTION	APV	DATE
	A	RELEASED.	TN	7/25/06
REVISIONS				

TOLERANCES:	DRAWN	AC	7/25/06
DECIMALS	CHECKED		
2 PLACES: +/- .03	APVD	RR	7/25/06
3 PLACES: +/- .010	APVD		
FRACTIONS: +/- 1/32			
ANGLES: +/- 1/2 deg.			

SECTOR MICROWAVE IND., INC.

WR34 WG SW. : LARGE CKT SERIES

SIZE L	CAGE CODE 53263	WR34 LRG CKT SER.	A
SCALE: NONE	UNIT WT.	SHEET 1 OF 1	REV.