

SPECIFICATIONS;
 FREQ RANGE (GHz) — 22.0 - 33.0
 VSWR — 1.10 : 1 MAX
 INSERTION LOSS — 0.15 db, MAX
 ISOLATION — 55 db, MIN
 SWITCHING TIME — 50 mSec, TYP
 PRESSURE — TO 30 PSIG (R-F HEAD)
 FINISH — IRIDITE ON FLANGES, SATIN BLACK ENAMEL ON BODY.

NOTES:
 1. ** MANUAL SWITCH DOES NOT INCLUDE RECEPTACLE.
 2. BLUE BOXES ARE REQUIRED FIELDS.
 3. !! IF OPTION IS NOT REQUIRED, LEAVE (GOLD BOX) BLANK

VOLTAGE	AMPS	CODE
+22 TO +32	0.9	A
-22 TO -32	0.9	B
+10 TO +14	1.5	C
-10 TO -14	1.5	D
+44 TO +54	0.5	E
-44 TO -54	0.5	F
117VAC	0.5	H
235VAC	0.5	K
MANUAL **		M

PART NO. SELECTION

CODE	FLANGE
P	PLAIN
O	O-RING

!! OPTION	CODE
METRIC THD	M

(USED IN A SHELTERED ENVIRONMENT)

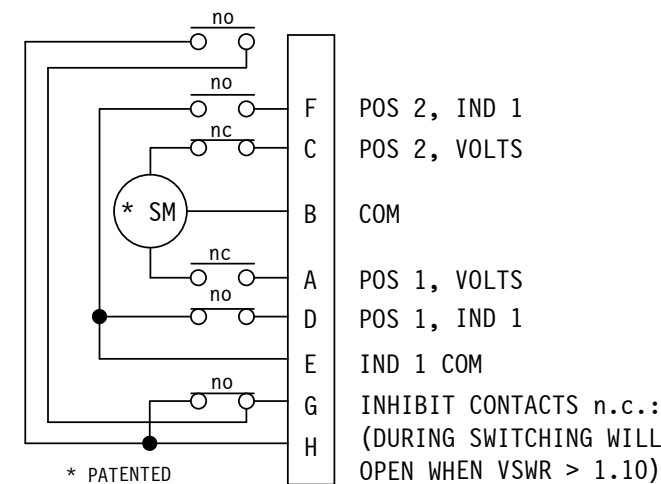
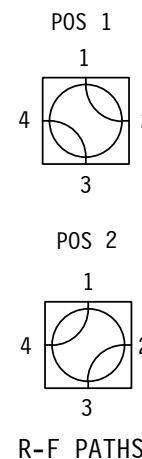
CODE	ENVIRONMENTAL
W	SHELTERED

(THIS SERIES FOR CIRCUIT NO's 2, 3, 4, 5, 5A, 6 & 6A)

PART NO. SERIES	34			
	CODE			
!! OPTION	SPDT	1		
	CODE			

PART NO. EX.: 34APW6A
 WR34 LATCHING WG SWITCH, +28VDC, PLAIN FLANGE, SHELTERED, CIRCUIT #6A.

FLANGE TYPE
 (SEE P/N SELECTION)
 4-40 x .25 DP
 OR M3 THD FOR METRIC UNITS



ELECTRICAL CKT # 6A
 CONNECTOR, MS3112E12-10P
 Shown in Position 1
 ONE FORM C & INHIBIT

TOLERANCES:
 DECIMALS
 2 PLACES: +/- .03
 3 PLACES: +/- .010
 FRACTIONS: +/- 1/32
 ANGLES: +/- 1/2 deg.

DRAWN	AC	7/25/06
CHECKED		
APVD	RR	7/25/06
APVD		

SECTOR MICROWAVE IND., INC.
 WR34 WG SW. : LARGE CKT SHELTERED SERIES
 SIZE L CAGE CODE 53263 WR34 LRG CKT SER. A
 SCALE: NONE UNIT WT. SHEET 1 OF 1 REV.

ZONE	LTR	DESCRIPTION	APV	DATE
	A	RELEASED.	TN	7/25/06
REVISIONS				

WEB SITE: www.sectormicrowave.com