

SPECIFICATIONS;
 FREQ RANGE (GHz) — 22.0 - 33.0
 VSWR — 1.10 : 1 MAX
 INSERTION LOSS — 0.15 db, MAX
 ISOLATION — 55 db, MIN
 SWITCHING TIME — 50 mSec, TYP
 PRESSURE — TO 30 PSIG (R-F HEAD)
 FINISH — IRIDITE ON FLANGES, SATIN BLACK ENAMEL ON BODY.

VOLTAGE	AMPS	CODE
+22 TO +32	0.9	A
-22 TO -32	0.9	B
+10 TO +14	1.5	C
-10 TO -14	1.5	D
+44 TO +54	0.5	E
-44 TO -54	0.5	F
117VAC	0.5	H
235VAC	0.5	K
MANUAL **		M

PART NO. SELECTION

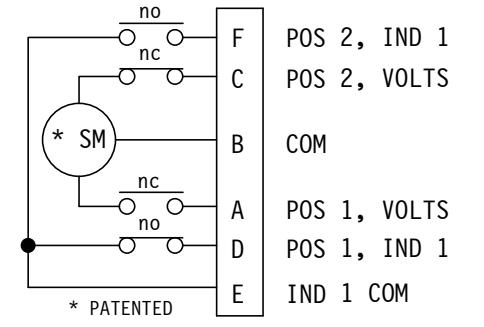
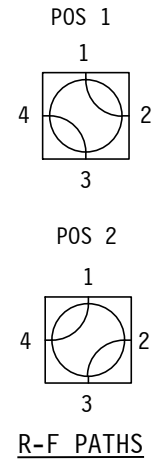
CODE	FLANGE
P	PLAIN
0	O-RING

(USED IN A SHELTERED ENVIRONMENT)

CODE	ENVIRONMENTAL
W	SHELTERED

!! OPTION	CODE
METRIC THD	M

FOR OTHER ELECT CKT'S SEE SCHEMATIC PAGE.



STD. ELECTRICAL CKT.
 Shown in Position 1
 ONE FORM C

- NOTES:**
 1. ** MANUAL SWITCH DOES NOT INCLUDE RECEPTACLE.
 2. BLUE BOXES ARE REQUIRED FIELDS.
 3. !! IF OPTION IS NOT REQUIRED, LEAVE (GOLD BOX) BLANK
 4. ## SINGLE POLE DOUBLE THROW (SPDT) OPTION ADDS A SHORTING PLATE ON PORT 4.

PART NO. SERIES	34-	SPDT ##	1	!! OPTION CODE		W	
	CODE		!! OPTION CODE				

!! ELECTRICAL CIRCUIT (IF OTHER THAN STD.)

PART NO. EX.: 34-APW SEE NOTE 4
 WR34 LATCHING WG SWITCH, +28VDC,
 PLAIN FLANGE (SQUARE), SHELTERED.

NUMBER NOT REQ'D FOR STANDARD CIRCUIT.

WEB SITE: www.sectormicrowave.com

ZONE	LTR	DESCRIPTION	APV	DATE
	B	"34-" WAS "34", ADDED NOTE 4	TN	12/10/09
	A	RELEASED.	TN	7/25/06
REVISIONS				

TOLERANCES: DECIMALS 2 PLACES: +/- .03 3 PLACES: +/- .010 FRACTIONS: +/- 1/32 ANGLES: +/- 1/2 deg.	DRAWN	AC	7/25/06
	CHECKED		
	APVD	RR	7/25/06
	APVD		

SECTOR MICROWAVE IND., INC.			
WR34 WG SW. : SHELTERED SERIES			
SIZE	L	CAGE CODE	53263
SCALE: NONE	UNIT WT.	SHEET	1 OF 1
			B REV.