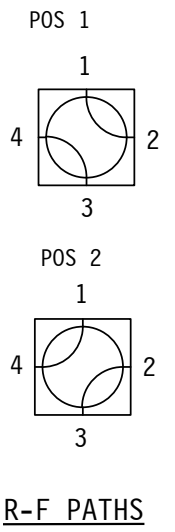
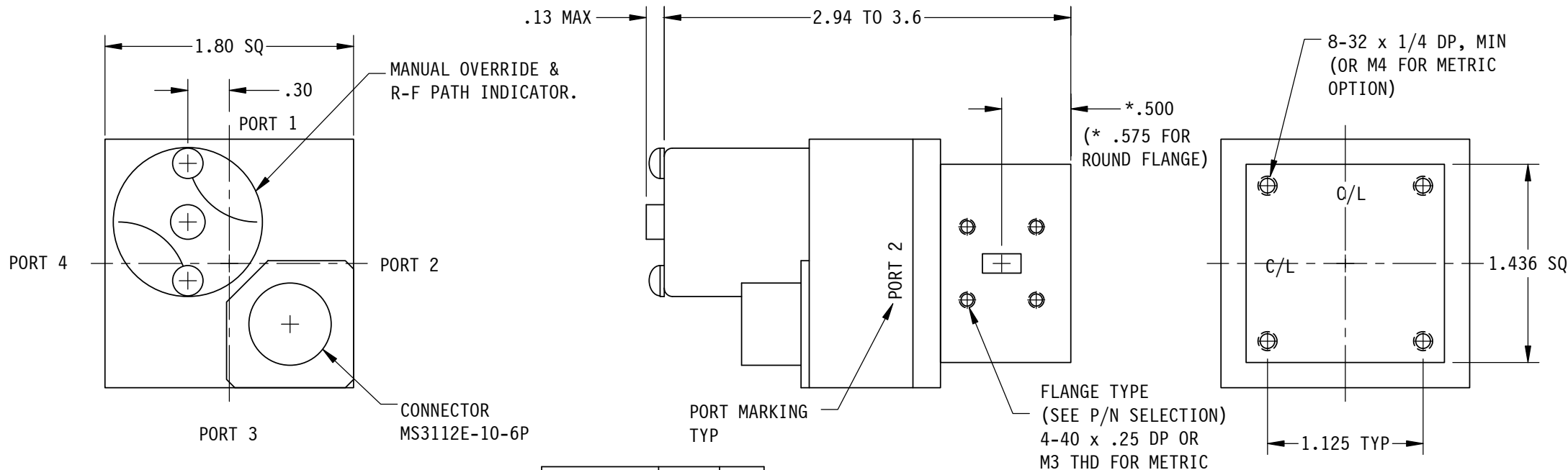


WR28 (V) SERIES



SPECIFICATIONS:
 FREQ RANGE — 26.5 TO 40.0 GHz
 VSWR — 1.15 : 1 MAX, 1.10 : 1 TYP
 ISOLATION — 55 db MIN
 INSERTION LOSS — 0.15 db MAX
 SWITCHING TIME — 50 mSec
 PRESSURE — TO 30 PSIG (R-F HEAD ONLY)
 LIFE — 200,000 OPERATIONS, MIN
 FINISH — IRIDITE ON FLANGES, SATIN BLACK ENAMEL ON REST OF BODY.

NOTES:
 1. ** MANUAL SWITCH DOES NOT INCLUDE RECEPTACLE.
 2. BLUE BOXES ARE REQUIRED FIELDS.
 3. !! IF OPTION IS NOT REQUIRED, LEAVE (GOLD BOX) BLANK

VOLTAGE	AMPS	CODE
+22 TO +32	0.9	A
-22 TO -32	0.9	B
+10 TO +14	1.5	C
-10 TO -14	1.5	D
+44 TO +54	0.5	E
-44 TO -54	0.5	F
117VAC	0.5	H
MANUAL **		M

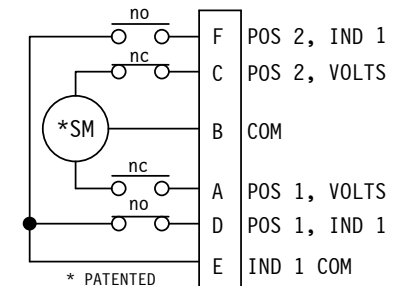
PART NO. SELECTION

CODE	FLANGE
P	PLAIN
C	CHOKE
O	O-RING
R	ROUND

CODE	!! OPTION
M	METRIC THREAD

V			
PART NO. SERIES	V CODE	SPDT	1
		!! OPTION	CODE

PART NO. EX.: VAPM
 WR28 LATCHING WG SWITCH, +28VDC,
 PLAIN (SQUARE) FLANGE, METRIC HOLES



* PATENTED
 STD. ELECTRICAL CKT.
 Shown in Position 1
 ONE FORM C
 LATCHING CKT.

WEB SITE: www.sectormicrowave.com

B	UPDATED VSWR SPEC	RR	6/24/09	TOLERANCES: DECIMALS 2 PLACES: +/- .03 3 PLACES: +/- .010 FRACTIONS: +/- 1/64 ANGLES: +/- 1/2 deg.	DRAWN	A.C.	4/27/98	SECTOR MICROWAVE IND., INC.	
A	REVISED OPTIONS LIST	TN	1/8/08		CHECKED				WR28 W/G SWITCH SERIES
-	RELEASED.	SW	4/27/98		APVD	S.W.	4/27/98		
ZONE	LTR	DESCRIPTION	APV	DATE	APVD			SIZE L CAGE CODE 53263 Vxx SERIES B	
REVISIONS						SCALE: NONE	UNIT WT.	SHEET 1 OF 1	REV.