

SPECIFICATIONS:

- FREQ RANGE — 2.60 TO 3.95 GHz
- VSWR — 1.05 : 1 MAX
- ISOLATION — 80 db MIN
- INSERTION LOSS — 0.10 db MAX
- SWITCHING TIME — 200 mSec, TYP
- PRESSURE — TO 30 PSIG (R-F HEAD ONLY)
- MATERIAL — ALUMINUM ALLOY
- LIFE — 100,000 OPERATIONS MIN
- FINISH — IRIDITE & FLAT BLACK ENAMEL (EXCEPT FLANGE FACES)

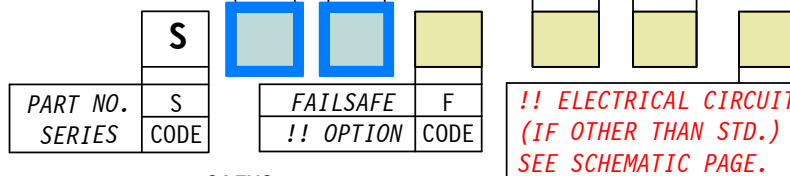
VOLTAGE	AMPS	CODE
+22 TO +32	2	A
-22 TO -32	2	B
+10 TO +14	2	C
-10 TO -14	2	D
+44 TO +54	1	E
-44 TO -54	1	F
117VAC	1	H
235VAC	1	K
MANUAL **		M

PART NUMBER SELECTION

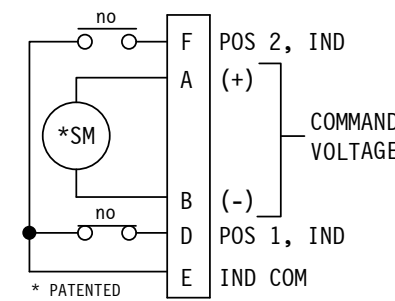
CODE	FLANGE
F	CPRF
G	CPRG

CODE	!! OPTION
M	METRIC THREAD

!! OPTION	CODE
SPDT	1

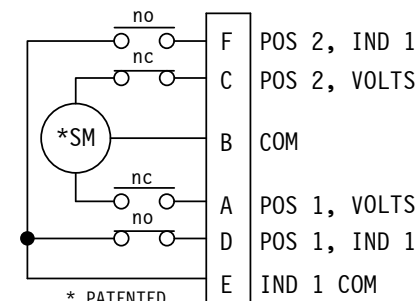
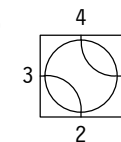


PART NO. EX.: SAFM2
 WR284 WG SWITCH, +28VDC, CPRF
 FLANGE, METRIC THDS., ELECT CKT #2.



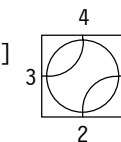
STD. FAILSAFE ELECT CKT.
 Shown in De-energized Pos.
 ONE FORM C

POS 2 (LATCHING)
 [or Energized]
 (FAILSAFE)



STD. ELECTRICAL CKT.
 Shown in Position 1
 ONE FORM C

POS 1 (LATCHING)
 [or De-Energized]
 (FAILSAFE)



R-F PATHS

NOTES:

1. ** MANUAL SWITCH DOES NOT INCLUDE RECEPTACLE.
2. BLUE BOXES ARE REQUIRED FIELDS.
3. !! IF OPTION IS NOT REQUIRED, LEAVE (GOLD BOX) BLANK

WEB SITE: www.sectormicrowave.com

ZONE	LTR	DESCRIPTION	APV	DATE
	A	RELEASED.	R.R.	9/21/06
REVISIONS				

TOLERANCES: DECIMALS	DRAWN	A.C.	9/21/06
2 PLACES: +/- .03	CHECKED		
3 PLACES: +/- .010	APVD	R.R.	9/21/06
FRACTIONS: +/- 1/64	APVD		
ANGLES: +/- 1/2 deg.			

SECTOR MICROWAVE IND., INC.			
WR284 WG SW., LIGHTWEIGHT SWITCH			
SIZE	L	MFG CODE	53263
S (SEE P/N CHART)			A
SCALE: NONE	UNIT WT.	SHEET 1 OF 1	REV.