

SPECIFICATIONS:
 FREQ RANGE _____ 2.60 TO 3.95 GHz
 VSWR _____ 1.05 : 1 MAX
 ISOLATION _____ 80 db MIN
 INSERTION LOSS _____ 0.10 db MAX
 SWITCHING TIME _____ 200 mSec, TYP
 PRESSURE _____ TO 30 PSIG (R-F HEAD ONLY)
 MATERIAL _____ ALUMINUM ALLOY
 LIFE _____ 100,000 OPERATIONS MIN
 FINISH _____ IRIDITE & FLAT BLACK ENAMEL (EXCEPT FLANGE FACES)

NOTES:
 1. ** MANUAL SWITCH DOES NOT INCLUDE RECEPTACLE.
 2. BLUE BOXES ARE REQUIRED FIELDS.
 3. !! IF OPTION IS NOT REQUIRED, LEAVE (GOLD BOX) BLANK

VOLTAGE	AMPS	CODE
+22 TO +32	2	A
-22 TO -32	2	B
+10 TO +14	2	C
-10 TO -14	2	D
+44 TO +54	1	E
-44 TO -54	1	F
117VAC	1	H
235VAC	1	K
MANUAL **		M

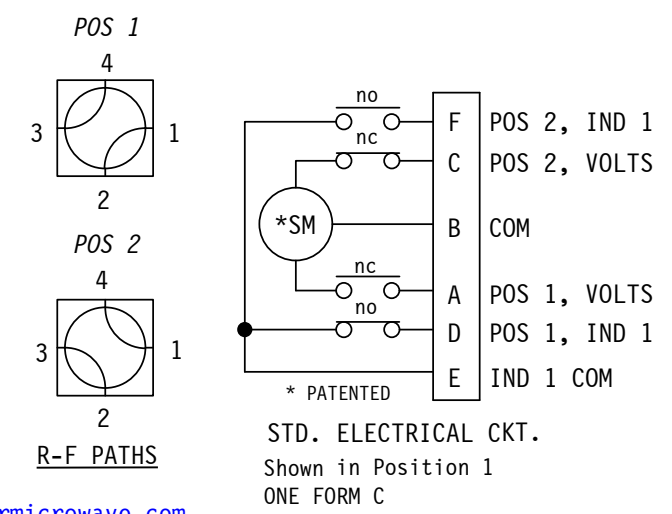
PART NO. SELECTION

CODE	FLANGE	CODE	!! OPTION
F	CPRF	M	METRIC THREAD
G	CPRG		(USED IN A SHELTERED ENVIRONMENT)
		W	ENVIRONMENTAL SHELTERED

S	SPDT	!! OPTION	CODE
S	1		

!! ELECTRICAL CIRCUIT (IF OTHER THAN STD.) SEE SCHEMATIC PAGE

PART NO. EX.: SAGMW2
 WR284 WG SWITCH, +28VDC, CPRG (GROOVED) FLANGE, METRIC THDS, SHELTERED, CKT #2



WEB SITE: www.sectormicrowave.com

ZONE	LTR	DESCRIPTION	APV	DATE
	A	RELEASED	RR	8/28/06
REVISIONS				

TOLERANCES:	DRAWN	J TRACY	8/28/06
DECIMALS	CHECKED		
2 PLACES: +/- .03	APVD	RR	8/28/06
3 PLACES: +/- .010	APVD		
FRACTIONS: +/- 1/64			
ANGLES: +/- 1/2 deg.			

SECTOR MICROWAVE IND., INC.			
WR284 SHELTERED W/G SWITCH			
SIZE	L	MFG CODE	53263
SCALE: NONE		UNIT WT.	
SHEET 1 OF 1		SxxW SHELTERED SERIES	
			A
			REV.