

SPECIFICATIONS:

- FREQ RANGE _____ 2.60 TO 3.95 GHz
- VSWR _____ 1.05 : 1 MAX
- ISOLATION _____ 80 db MIN
- INSERTION LOSS _____ 0.10 db MAX
- SWITCHING TIME _____ 200 mSec, TYP
- PRESSURE _____ TO 30 PSIG (R-F HEAD ONLY)
- MATERIAL _____ ALUMINUM ALLOY
- LIFE _____ 100,000 OPERATIONS MIN
- FINISH _____ IRIDITE & FLAT BLACK ENAMEL (EXCEPT FLANGE FACES)

NOTES:

1. ** MANUAL SWITCH DOES NOT INCLUDE RECEPTACLE.
2. BLUE BOXES ARE REQUIRED FIELDS.
3. !! IF OPTION IS NOT REQUIRED, LEAVE (GOLD BOX) BLANK

VOLTAGE	AMPS	CODE
+22 TO +32	2	A
-22 TO -32	2	B
+10 TO +14	2	C
-10 TO -14	2	D
+44 TO +54	1	E
-44 TO -54	1	F
117VAC	1	H
235VAC	1	K
MANUAL **		M

PART NO. SELECTION

CODE	FLANGE
F	CPRF
G	CPRG

CODE	!! OPTION
M	METRIC THREAD

CODE	!! OPTION
F	FAILSAFE

CODE	ENVIRONMENTAL
S	SEALED

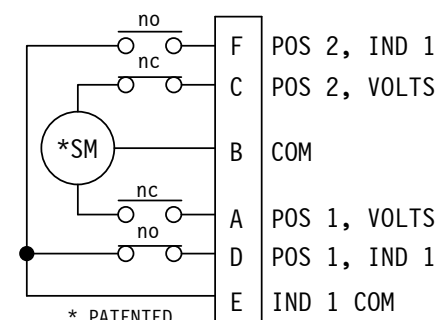
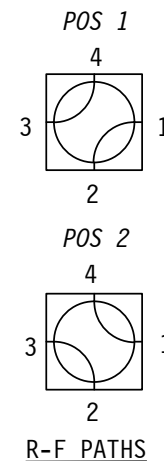
PART NO. SERIES	S
	CODE

SPDT	1
!! OPTION	CODE

!! ELECTRICAL CIRCUIT (IF OTHER THAN STD.) SEE SCHEMATIC PAGE

PART NO. EX.: SAGS2

WR284 WG SWITCH, +28VDC, CPRG (GROOVED) FLANGE, SEALED, CKT #2



STD. ELECTRICAL CKT. Shown in Position 1 ONE FORM C

WEB SITE: www.sectormicrowave.com

ZONE	LTR	DESCRIPTION	APV	DATE
	B	CHANGED DIM FROM 8.88 MAX TO 9.20 MAX	RR	10/13/08
	A	RELEASED	RR	8/28/06
REVISIONS				

TOLERANCES: DECIMALS 2 PLACES: +/- .03 3 PLACES: +/- .010 FRACTIONS: +/- 1/64 ANGLES: +/- 1/2 deg.	DRAWN J TRACY 8/28/06
	CHECKED
	APVD RR 8/28/06
	APVD

SECTOR MICROWAVE IND., INC.			
WR284 SEALED W/G SWITCH			
SIZE L	MFG CODE 53263	SxxS SEALED SERIES	
SCALE: NONE	UNIT WT.	SHEET 1 OF 1	B REV.