

SPECIFICATIONS;
 FREQ RANGE (GHz) — 33.0 - 50.0
 VSWR — 1.15 : 1 MAX
 INSERTION LOSS — 0.20 db, MAX
 ISOLATION — 50 db, MIN
 SWITCHING TIME — 50 mSec, TYP
 PRESSURE — TO 30 PSIG (R-F HEAD)
 FINISH — IRIDITE ON FLANGES, SATIN BLACK ENAMEL ON BODY.

NOTES:
 1. ** MANUAL SWITCH DOES NOT INCLUDE RECEPTACLE.
 2. BLUE BOXES ARE REQUIRED FIELDS.
 3. !! IF OPTION IS NOT REQUIRED, LEAVE (GOLD BOX) BLANK

VOLTAGE	AMPS	CODE
+22 TO +32	0.9	A
-22 TO -32	0.9	B
+10 TO +14	1.5	C
-10 TO -14	1.5	D
+44 TO +54	0.5	E
-44 TO -54	0.5	F
117VAC	0.5	H
235VAC	0.5	K
MANUAL **		M

PART NO. SELECTION

!! OPTION	CODE
METRIC THREAD	M

CODE	FLANGE
P	PLAIN (ROUND)

!! OPTION	CODE
SPDT	1

22	P		
PART NO. SERIES	22	FAILSAFE	F
CODE		!! OPTION	CODE

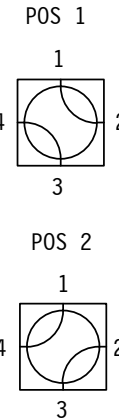
PART NO. EX.: 22AP3

WR22 LATCHING WG SWITCH, +28VDC, PLAIN ROUND FLANGE, CIRCUIT #3.

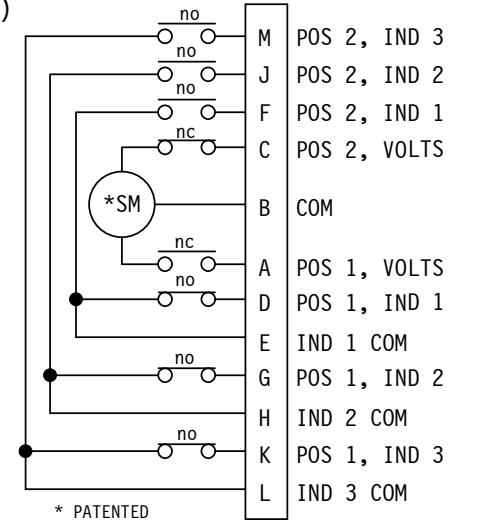
(THIS SERIES FOR CIRCUIT NO'S 2, 3, 4, 5, 5A, 6 & 6A)

ELECTRICAL CIRCUIT (INSERT CIRCUIT #) SEE SCHEMATIC PAGE

8X ALIGNMENT PIN P/N; 5A-2611 (Ø.0615 +0/-0.0005 X .312 LG)



R-F PATHS



* PATENTED ELECTRICAL CKT # 3 Shown in Position 1 THREE FORM C's

WEB SITE: www.sectormicrowave.com

ZONE	LTR	DESCRIPTION	APV	DATE
	A	RELEASED.	TN	7/25/06
REVISIONS				

TOLERANCES: DECIMALS	DRAWN	AC	7/25/06
2 PLACES: +/- .03	CHECKED		
3 PLACES: +/- .010	APVD	RR	7/25/06
FRACTIONS: +/- 1/32	APVD		
ANGLES: +/- 1/2 deg.			

SECTOR MICROWAVE IND., INC.			
WR22 WG SW. : LARGE CKT SERIES			
SIZE L	CAGE CODE 53263	WR22 LRG CKT SER.	A
SCALE: NONE	UNIT WT.	SHEET 1 OF 1	REV.